



电气特性 Electrical

额定电流 (Current rating) : 5A
 接触电阻 (Contact resistance) : 15m
 绝缘电阻 (Insulation resistance) : 5000M
 耐电压 (Withstanding voltage) : 1000 V r.m.s

机械特性 Mechanical

插入力 (Insertion force) : 5.0N/pin
 拔出力 (Extraction force) : 0.3N/pin
 适用环境 (Operating temperature) : -55 to +105

适用线规 Applicable wires

AWG 26~24

1401-XXX-0X-X

塑胶材料及颜色
 (Insulator material and color)
 1: 黑色 (Black) PBT+30%GF UL94V-0
 2: 绿色 (Green) PBT+30%GF UL94V-0
 9: 蓝色 (Blue) PBT+30%GF UL94V-0

触点镀层 (Contacts plating)

代码 (Code)	定义 (Definition)
2	CLASS I
3	CLASS II
4	CLASS III
5	CLASS IV

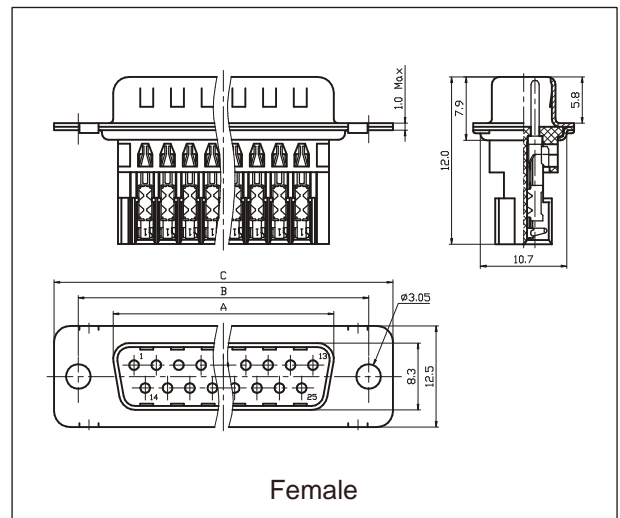
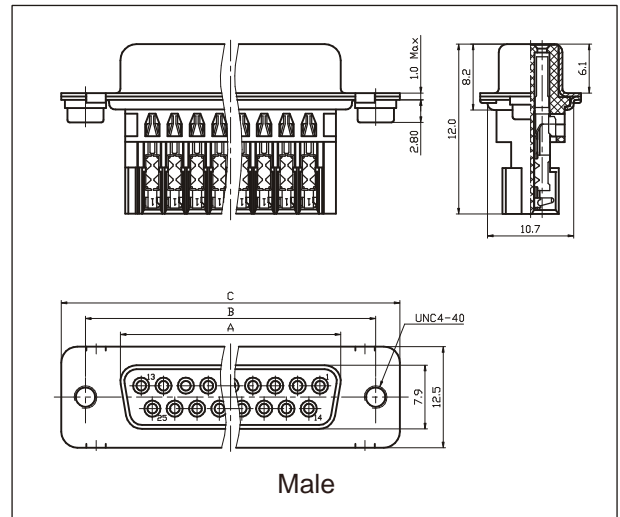
连接器类型 (Connector type)

代码 (Code)	定义 (Definition)
1	插头 (Male)
2	插座 (Female)

触点数量 (Number of contacts)
 09, 15, 25, 37

绝缘体移位连接 (I.D.C. 型)

0 : 冲床PIN (Punch Pin)



插头各规格尺寸表 Male dimensions

No. of contact	A	B	C
09M	16.92	25.00	30.90
15M	25.25	33.30	39.20
25M	38.96	47.04	53.04
37M	55.42	63.50	69.40

插座各规格尺寸表 Female dimensions

No. of contact	A	B	C
09F	16.35	25.00	30.90
15F	24.66	33.30	39.20
25F	38.40	47.04	53.04
37F	54.80	63.50	69.40