



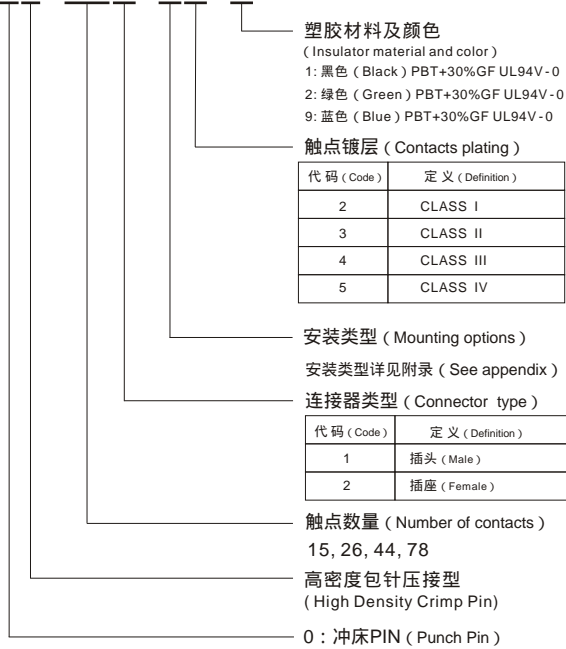
### 电气特性 Electrical

额定电流 (Current rating) : 3A  
 绝缘电阻 (Insulation resistance) : 5000M  
 耐电压 (Withstanding voltage) : 1000 V r.m.s

### 机械特性 Mechanical

适用环境 (Operating temperature) : -55 to +125

### 1404-XXX-XX-X



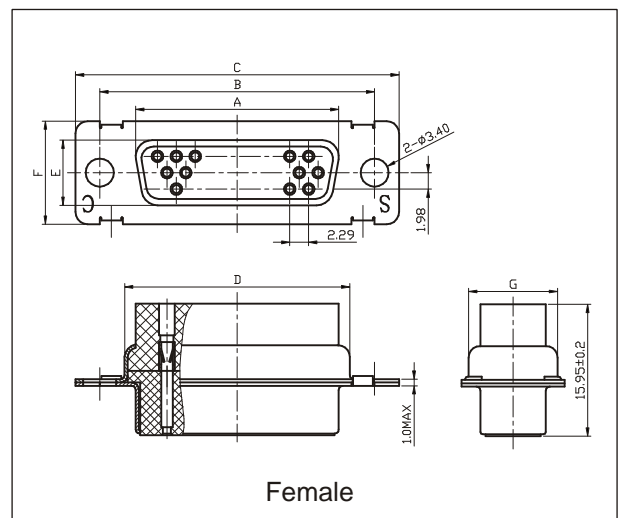
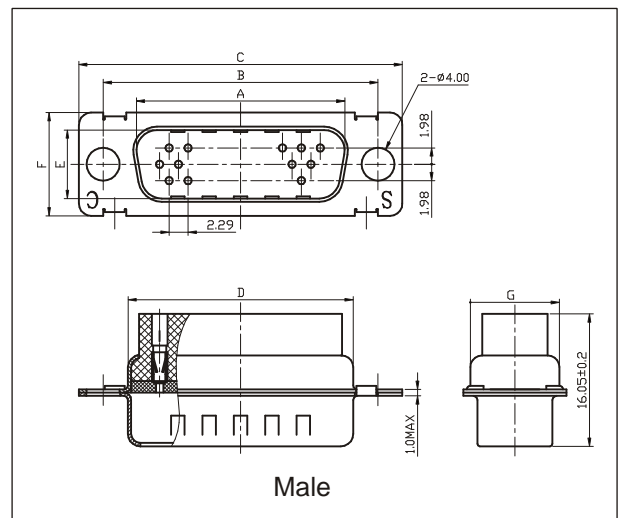
注意: 压接触点单独供货。  
 Note: Supplying contacts solely.

插头各规格尺寸表 Male dimensions

No. of contact	A	B	C	D	E	F	G
15M	16.92	25.00	30.80	19.20	8.30	12.50	10.70
26M	25.25	33.30	39.20	27.70	8.30	12.50	10.70
44M	38.96	47.04	53.04	41.10	8.30	12.50	10.70
78M	52.68	61.10	67.00	55.10	10.95	15.30	13.56

插座各规格尺寸表 Female dimensions

No. of contact	A	B	C	D	E	F	G
15F	16.35	25.00	30.80	19.20	7.90	12.50	10.70
26F	24.66	33.30	39.20	27.70	7.90	12.50	10.70
44F	38.40	47.04	53.04	41.10	7.90	12.50	10.70
78F	52.55	61.10	67.00	55.10	10.87	15.30	13.56



高密度包针压接型 (Crimp Body High Density)

物料编码 Material code	PIN 数 No. of contact	属性 Attribute	安装类型 (孔径) Mounting options	塑胶材料及颜色 Insulator material and color
14046001	26 Pin	公 (Male)	0 (φ 3.40)	黑色 (Black) PBT+30%GF UL94V-0
14046003	44 Pin		0 (φ 3.05)	
14046005	26 Pin		0 (φ 4.00)	
14046007	26 Pin		0 (φ 4.00) 带安装附件 1、附件 2	
14046002	26 Pin	母 (Female)	0 (φ 4.00)	
14046004	26 Pin		0 (φ 3.05)	
14046006	44 Pin		0 (φ 3.40)	
14046008	26 Pin		0 (φ 4.00) 带安装附件 3	

注意：

表中未列PIN数的规格可根据客户需求生产；  
安装类型、胶芯颜色可根据客户需求订制；  
压接触点单独供货。

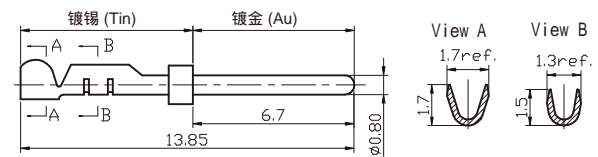
Note:

PIN number unlisted in the table can be ordered upon customer's demand.  
Mounting options and insulator color is custom-made.  
Supplying contacts solely.

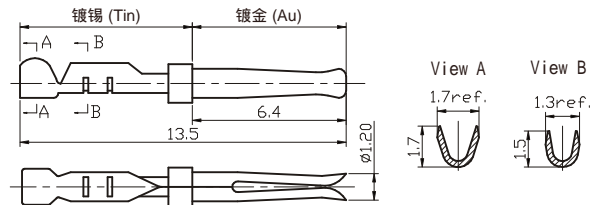
压接触点 (Crimp Contacts)



MALE CONTACT



FEMALE CONTACT

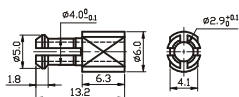


物料编码 (Material code)	属性 (Attribute)	触点镀层 (Contacts plating)
14043003	公 (Male)	0.25 μmAu
14043005		Gold flash
14043004	母 (Female)	0.25 μmAu
14043006		Gold flash

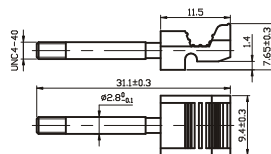
适用线规 (Applicable Wire Gage): AWG 30 ~ 26

压接部分镀层: 锡铅(Crimp area plating: Sn/Pb)

附件 1 (Accessories 1)



附件 2 (Accessories 2)



附件 3 (Accessories 3)

