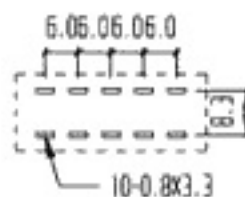
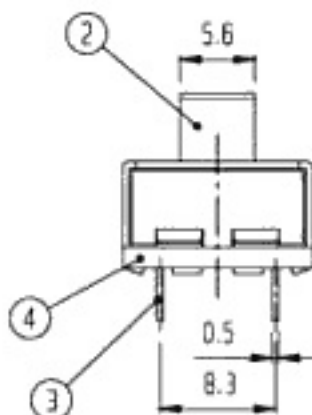
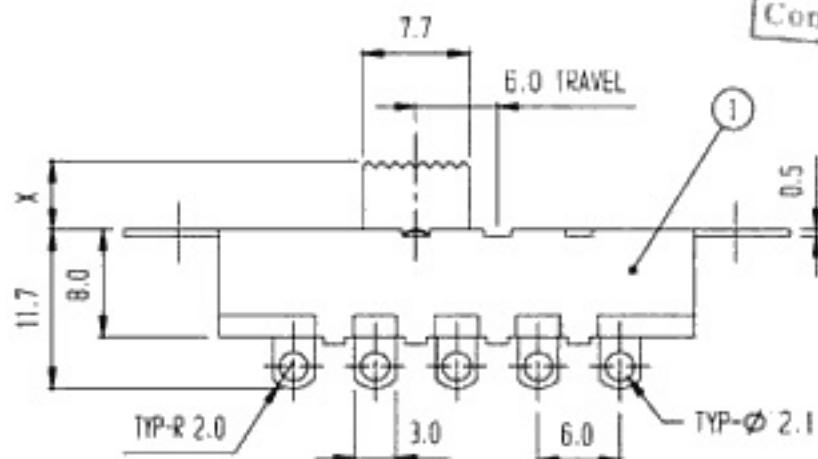


SCHEMATIC



P.C.B. LAYOUT

RoHS Compliance



5	SPRING PLATE	P B S	3		6	CONTACT	Cu	2	Ag PLATED
3	TERMINAL	Cu	10	Ag PLATED	4	TERMINAL BASE	PHENOL RESIN	1	NATURAL
1	FRAME	SPCC	1	PLATED CHROME	2	KNOB	P C	1	G 3-13
NO.	PART	MATERIAL	QTY	REMARKS	NO.	PART	MATERIAL	QTY	REMARKS

ISSUED

SPECIFICATION

TITLE: AC POWER SWITCH (2P4T)

RATING: 6.5A 250V AC/13A 125V AC

CONTACT RESISTANCE: 30mΩ max.

INSULATION RESISTANCE: 500MΩ AT 500V DC

WITHSTAND VOLTAGE: AC 1000V for 1 minute

OPERATION FORCE: REFER ATTACH SPECIFICATION

SWITCHING LIFE: 10K cycles min.

MODEL NO: ACS-24L01-E-G()

TOLERANCE UNIT: MM DWN. *hoo*

UP TO 1.0:±0.1 SCALE: 2:1 CHK'D. *mm*

1.0 TO 10.0:±0.2 VERSION: 02

OVER 10.0:±0.3 DRWG NO: APPD. *[Signature]*

