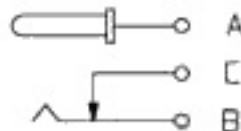


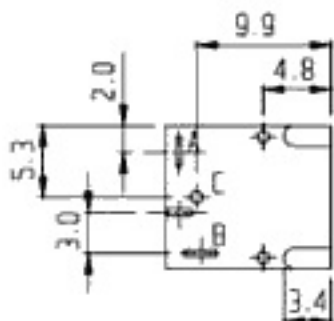
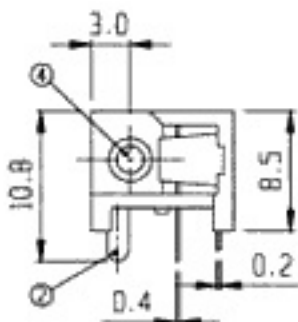
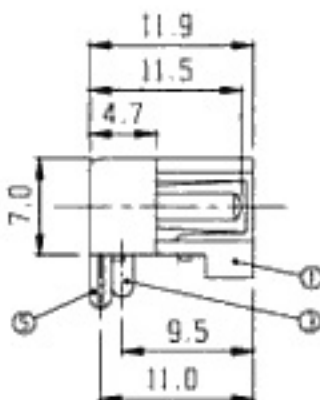
CENTER PIN DIAMETER  
 $\varnothing 2.0mm/\varnothing 2.5mm$



SCHEMATIC



PCB LAYOUT



RoHS  
 Compliance

NO.	PART	MATERIAL	QTY	REMARKS
5	CONTACT	BRASS	1	Ag PLATED
4	CENTER PIN	BRASS	1	Ni PLATED
3	SPRING PLATE	S U S	1	Ag PLATED
2	FIXED PLATE	BRASS	1	Ag PLATED
1	FRAME	A B S	1	

ISSUED	SPECIFICATION	TITLE: DC POWER JACK		
	RATING: DC 30V 0.3A	MODEL NO: DC-004		
	CONTACT RESISTANCE: 50mΩ max.			
	INSULATION RESISTANCE: 100MΩ AT 500V DC	TOLERANCE	UNIT: MM	DWN.
	WITHSTAND VOLTAGE: AC 500V for 1 minute	UP TO 1.0:±0.1	SCALE: 2:1	CHK'D.
	OPERATION FORCE: REFER ATTACH SPECIFICATION	1.0 TO 10.0:±0.2	VERSION: 2	APPD.
SWITCHING LIFE: 5K cycles(15-18 cycles/min unloading)	OVER 10.0:±0.3	DRWG NO:		