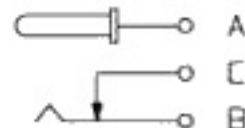
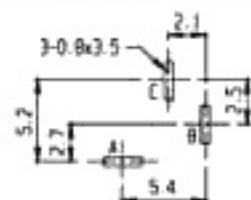


RoHS
Compliance

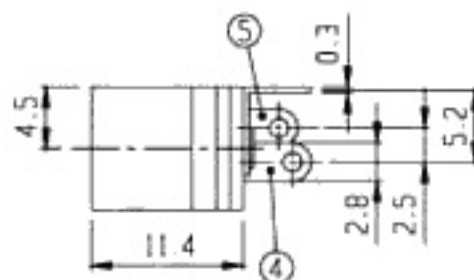
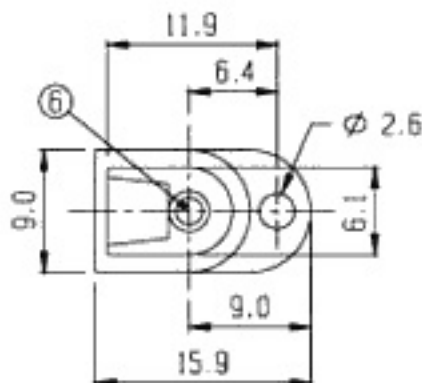


SCHEMATIC



PCB LAYOUT

CENTER PIN DIAMETER
Ø2.0MM/Ø2.5MM



6	CENTER PIN	BRASS	1	Ni PLATED
5	MOVABLE TERMINAL	P B S	1	Ag PLATED
4	TERMINAL	BRASS	1	Ag PLATED
3	FIXED TERMINAL	BRASS	1	Ag PLATED
2	TERMINAL BASE	PHENOL RESIN	2	NATURAL
1	FRAME	P O M	1	
NO.	PART	MATERIAL	QTY	REMARKS

ISSUED

SPECIFICATION

TITLE: DC POWER JACK



RATING: DC 30V 0.3A
 CONTACT RESISTANCE: 50mΩ max.
 INSULATION RESISTANCE: 100MΩ AT 500V DC
 WITHSTAND VOLTAGE: AC 500V for 1 minute
 OPERATION FORCE: REFER ATTACH SPECIFICATION
 SWITCHING LIFE: 5k cycles (15-18 cycles/min unloading)

MODEL NO: DC-362

TOLERANCE	UNIT: MM	DWN.	<i>hso</i>
UP TO 1.0:±0.1	SCALE: 2:1	CHK'D.	<i>mm</i>
1.0 TO 10.0:±0.2	VERSION: 2	APPD.	<i>[Signature]</i>
OVER 10.0:±0.3	DRWG NO:		