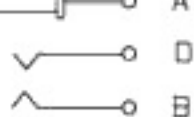
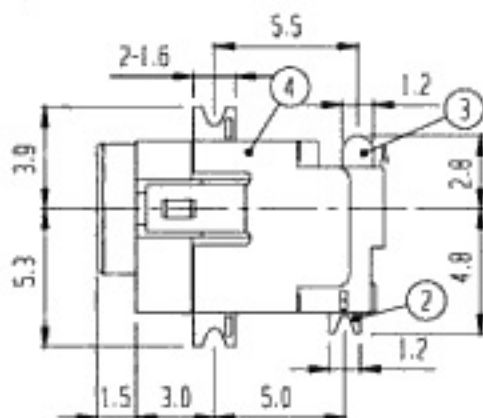
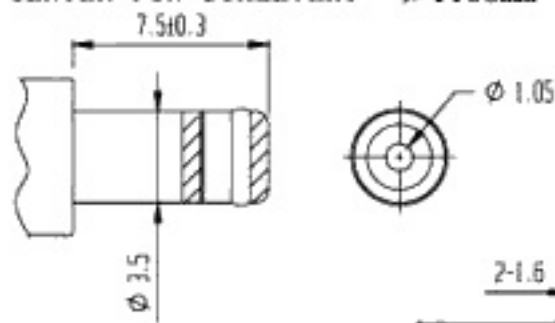
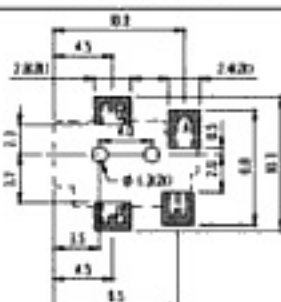


CENTER PIN DIAMETER: $\phi 1.05\text{mm}$

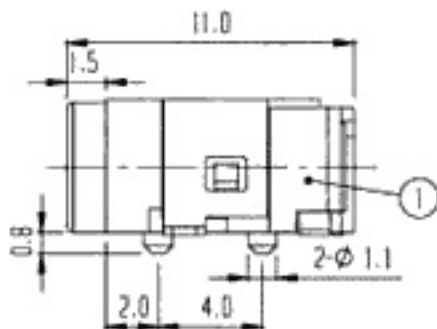
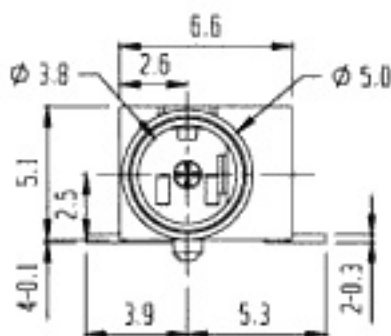


SCHEMATIC



P.C.B. LAYOUT

RoHS Compliance



NO.	PART	MATERIAL	QTY	REMARKS	NO.	PART	MATERIAL	QTY	REMARKS
3	TERMINAL	BRASS	1	Au PLATED	4	TERMINAL	P B S	1	Au PLATED
1	FRAME	NYLON 6T	1		2	TERMINAL	P B S	1	Au PLATED

ISSUED

SPECIFICATION

TITLE: DC POWER JACK SMD



RATING: DC 30V 0.3A
 CONTACT RESISTANCE: 50mΩ max.
 INSULATION RESISTANCE: 100MΩ AT 500V DC
 WITHSTAND VOLTAGE: AC 250V for 1 minute
 OPERATION FORCE: REFER ATTACH SPECIFICATION
 SWITCHING LIFE: 5,000 cycles min.

MODEL NO: DCM-010

TOLERANCE	UNIT: MM
UP TO 1.0: ±0.1	SCALE: 4:1
1.0 TO 10.0: ±0.2	VERSION: 1
OVER 10.0: ±0.3	DRWG NO:

DWN.	hro
CHK'D.	m
APPD.	[Signature]