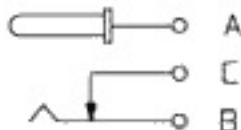
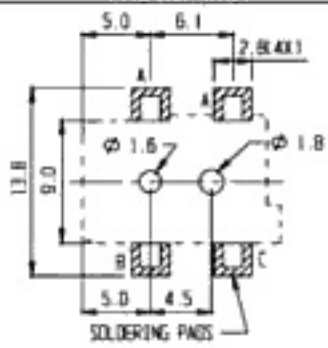


CENTER PIN DIAMETER
 $\phi 2.0\text{mm}/\phi 2.5\text{mm}$

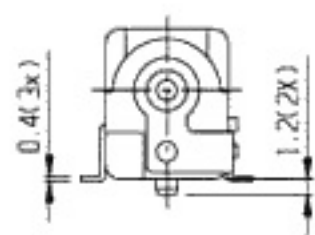
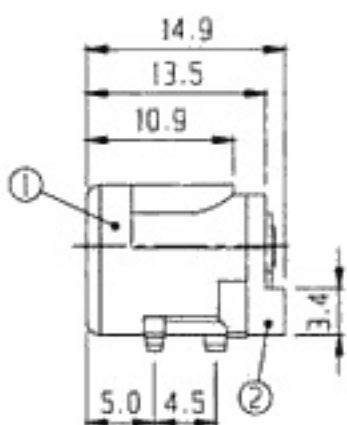
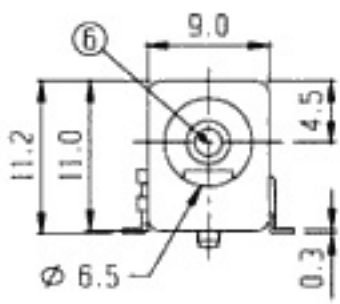
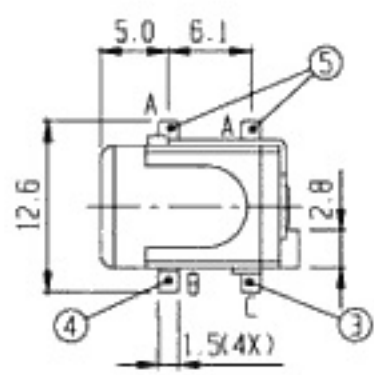
RoHS
 Compliance



SCHEMATIC



PCB LAYOUT



NO.	PART	MATERIAL	QTY	REMARKS	NO.	PART	MATERIAL	QTY	REMARKS
5	TERMINAL	BRASS	1	Ag PLATED	6	CENTER PIN	BRASS	1	Ag PLATED
3	TERMINAL	BRASS	1	Ag PLATED	4	SPRING PLATE	CuBe	2	Ag PLATED
1	FRAME	NYLON	1		2	COVER BOARD	NYLON	1	

ISSUED

SPECIFICATION

TITLE: DC POWER JACK SMD



RATING: DC 30V 0.3A
 CONTACT RESISTANCE: 50mΩ max.
 INSULATION RESISTANCE: 100MΩ AT 500V DC
 WITHSTAND VOLTAGE: AC 500V for 1 minute
 OPERATION FORCE: REFER ATTACH SPECIFICATION
 SWITCHING LIFE: 5K cycles min

MODEL NO: DCM-916

TOLERANCE UNIT: MM
 UP TO 1.0:±0.1 SCALE: 2:1
 1.0 TO 10.0:±0.2 VERSION: 01
 OVER 10.0:±0.3 DRWG NO: APPD.

DWN. *hoo*
 CHK'D. *m*
 APPD. *[Signature]*