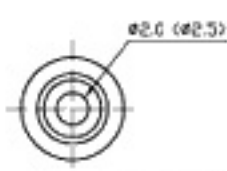
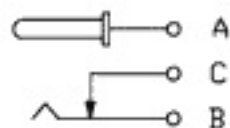


MATING PLUG

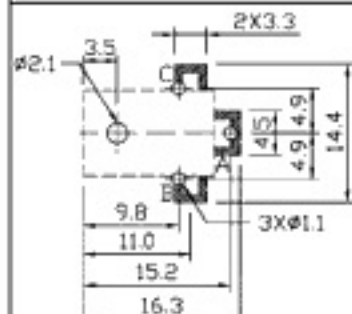
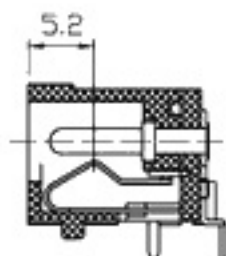


CENTER PIN DIAMETER
Ø2.0mm/Ø2.5mm

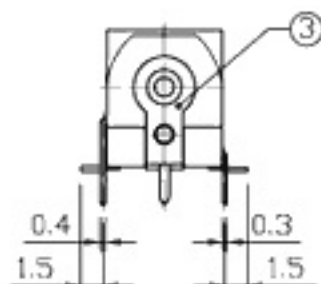
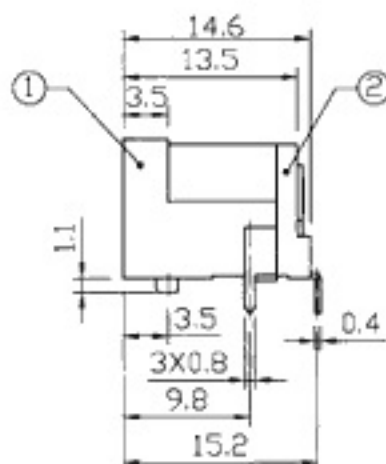
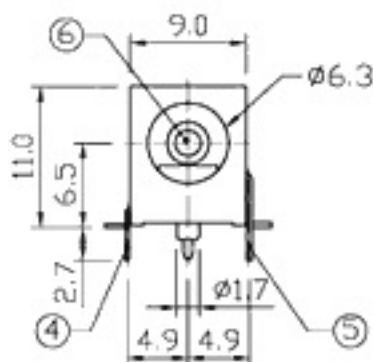
RoHS
Compliance



SCHEMATIC



P.C.B LAYOUT



6	CENTER PIN	COPPER ALLOY	1	NI PLATED
5	CONTACT PLATE	BRASS	1	Ag PLATED
4	SPRING PLATE	PBS-SH	1	Ag PLATED
3	FIXED PLATE	BRASS	1	Ag PLATED
2	TERMINAL BASE	PA46	1	
1	FRAME	PA46	1	
NO	PART	MATERIAL	QTY	REMARKS

ISSUED	SPECIFICATION	TITLE	DC POWER SMD		
	RATING	DC 24V 3.5A	MODEL NO	DCM-926	
	CONTACT RESISTANCE	50mΩ MAX	UNIT	MM	DWN
	INSULATION RESISTANCE	100MΩ AT 500V DC	SCALE	2:1	CHK'D
	WITHSTAND VOLTAGE	AC 500V for 1 minute	TOLERANCE	±0.2	APPD
	OPERATION FORCE	REFER ATTACH SPECIFICATION			
	SWITCHING LIFE	5K cycles min			