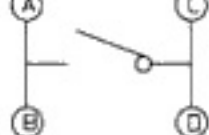
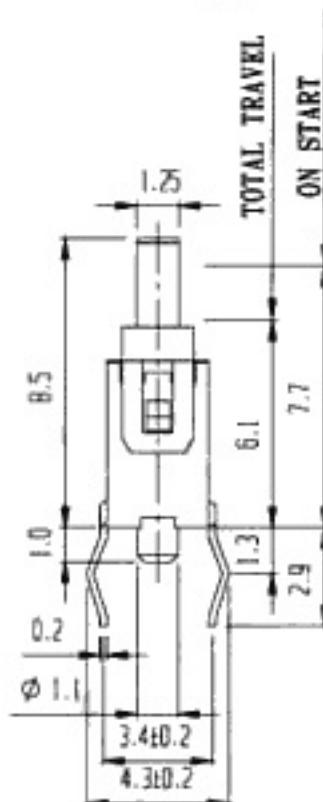
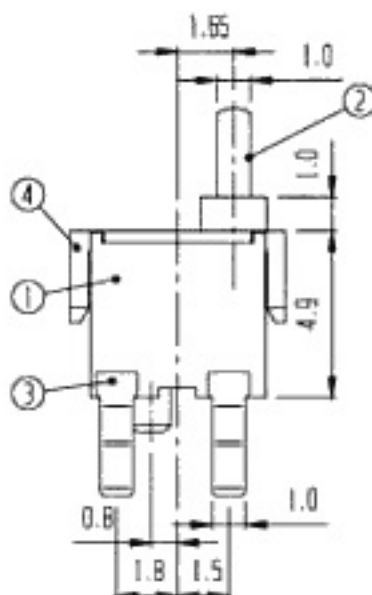
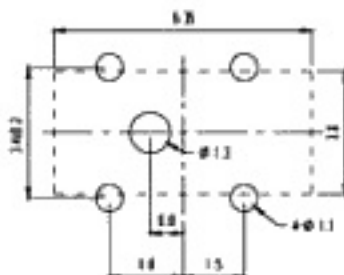


RoHS Compliance



SCHEMATIC



P.C.B. LAYOUT

5	SPRING PLATE	CuBe	1	Ag PLATED					
3	TERMINAL	BRASS	4	Ag PLATED	4	COVER BOARD	P O M	1	
1	FRAME	NYLON	1		2	KNOB	P O M	1	
NO.	PART	MATERIAL	QTY	REMARKS	NO.	PART	MATERIAL	QTY	REMARKS

ISSUED

SPECIFICATION

TITLE: DETECTOR SWITCH



RATING: DC 30V 0.1A  
 CONTACT RESISTANCE: 100mΩ max.  
 INSULATION RESISTANCE: 100MΩ AT 500V DC  
 WITHSTAND VOLTAGE: AC 250V for 1 minute  
 OPERATION FORCE: REFER ATTACH SPECIFICATION  
 SWITCHING LIFE: 50K cycles min.

MODEL NO: DS-20-01

TOLERANCE	UNIT: MM	DWN.	<i>hoo</i>
UP TO 1.0:±0.1	SCALE: 5:1	CHK'D.	<i>hm</i>
1.0 TO 10.0:±0.2	VERSION: 04	APPD.	<i>[Signature]</i>
OVER 10.0:±0.3	DRWG NO:		