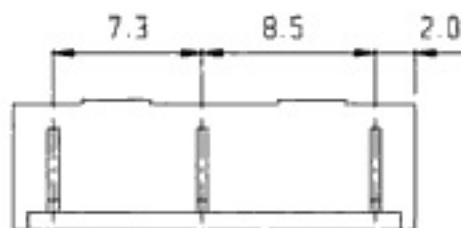
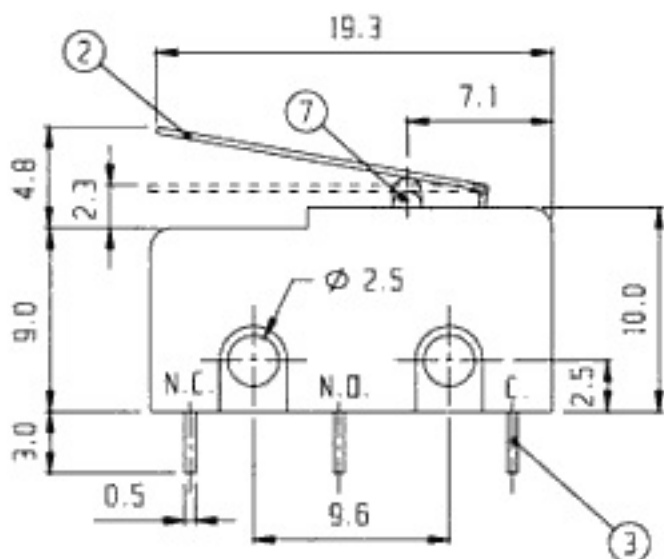
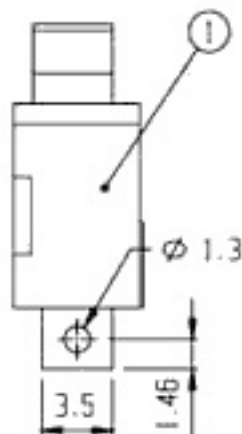
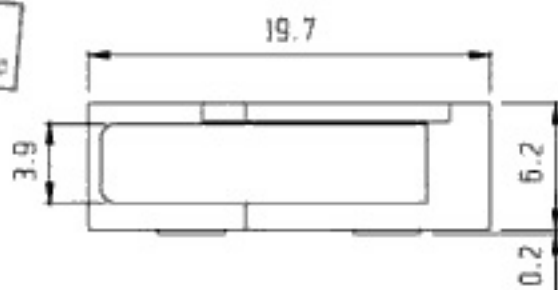
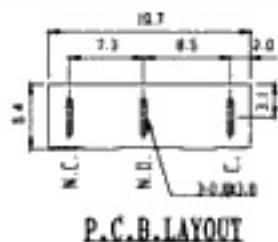




RoHS
Compliance



OPERATION FORCE

MS-114-01	25g±10g
MS-114-02	40g±15g

NO.	PART	MATERIAL	QTY	REMARKS	NO.	PART	MATERIAL	QTY	REMARKS
7	PUSH BOTTON	P O M	1		6	SPRING PLATE	P B S	1	
5	CONTACT POINT	Ag	1		4	CONTACT	P B S	1	
3	TERMINAL	BRASS	3	Ag PLATED	2	KNOB	S U S	1	
1	FRAME	P O M	1						

ISSUED

SPECIFICATION

TITLE: MICRO SWITCH



RATING: DC 50V 0.5A
 CONTACT RESISTANCE: Not more than 30mΩ (initial)
 INSULATION RESISTANCE: 100MΩ AT 500V DC
 WITHSTAND VOLTAGE: AC 125V for 1 minute
 OPERATION FORCE: REFER ATTACH SPECIFICATION
 SWITCHING LIFE: 100K cycles

MODEL NO: MS-114-01
 MS-114-02
 TOLERANCE UNIT: MM
 UP TO 1.0:±0.1 SCALE: 3:1
 1.0 TO 10.0:±0.2 VERSION: 2
 OVER 10.0:±0.3 DRWG NO:

DWN. *hoo*
 CHK'D. *mu*
 APPD. *[Signature]*