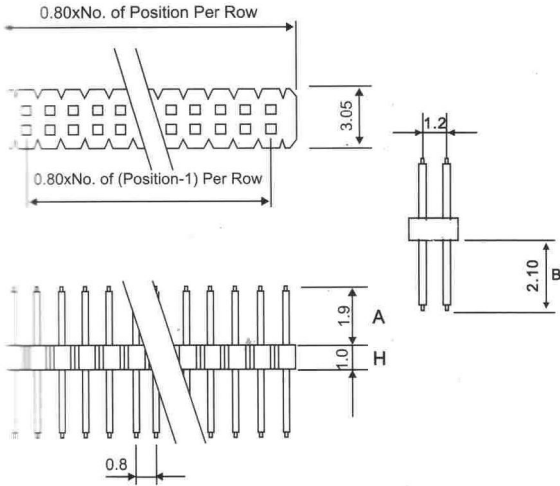
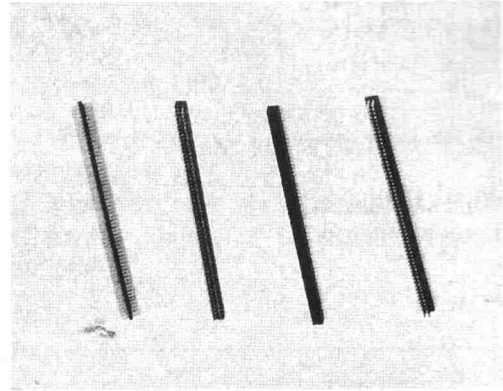


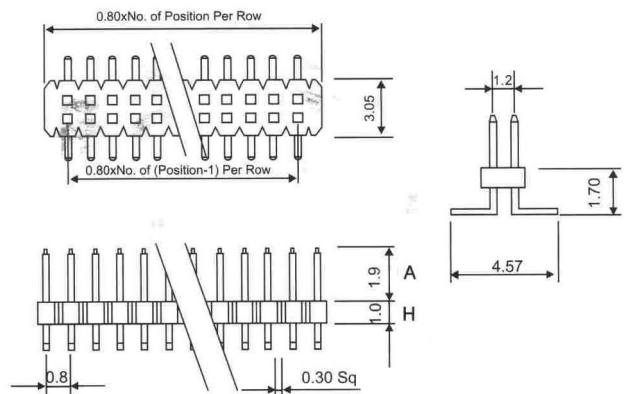
PIN HEADER STRIP(0.80mm) FEMALE PCB CONNECTOR(0.80mm)

201 - 0.8 Series
203 - 0.8 Series

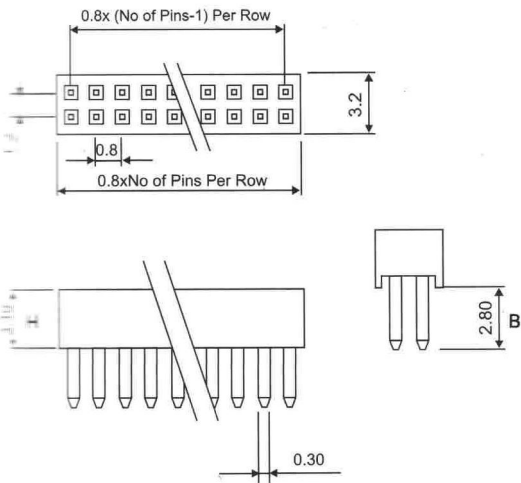
0.8 × 1.2mm center pin header
Dual row 10 to 120 contacts



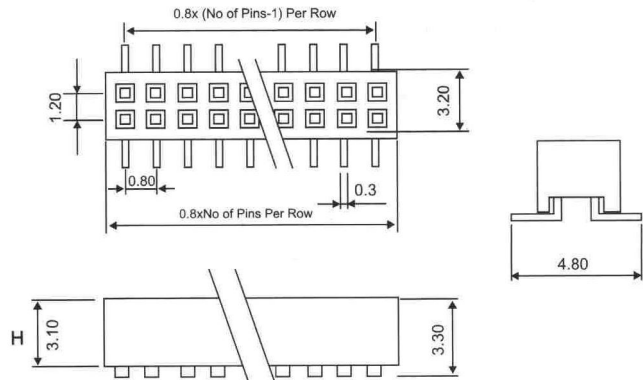
201S-0.8-2×60P A/H/B=1.9/1.0/2.1



201-SMT-0.8-2x60A/H/C=1.9/1.0/0.7



203S-0.8-2x60P-3.1/2.8



203-SMT-0.8-2x60P-3.1/2.8

0.8 x 1.2mm Female header
Dual row board to board connector 10 to 120 contacts

Pitch:0.80*1.20mm(0.031"*0.047") Pin Header Dual Row S.M.T Type

Technical Data

Material:

Contact Material: Brass

Insulator Material:Black Polyester UL94V-0

Standard:PA6T+30%G.F

Electrical:

Current rating: 0.5Amps/contact max.

Contact resistance: $\leq 20m\Omega$ /contact

Insulation resistance: $\geq 1000M\Omega$ at V=100V

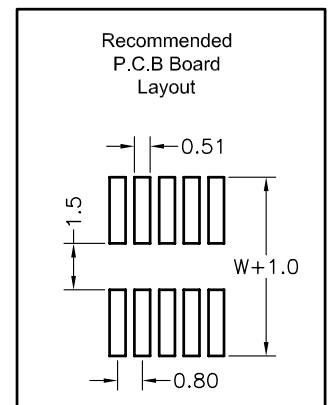
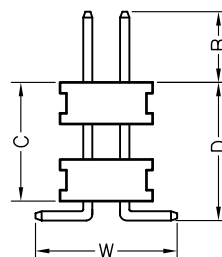
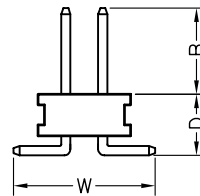
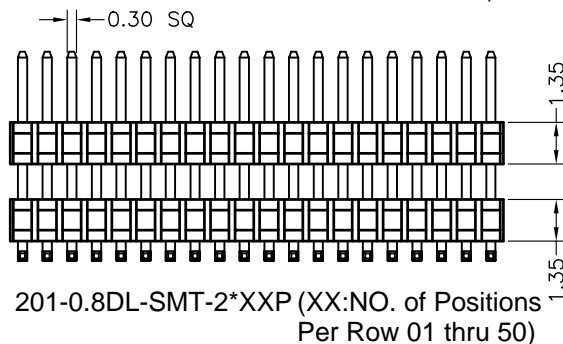
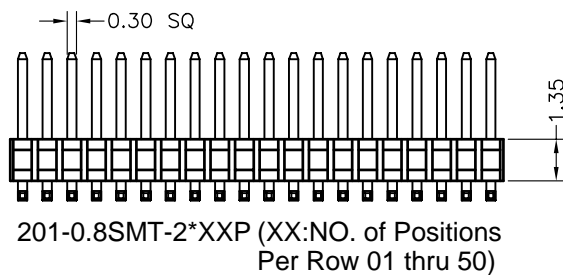
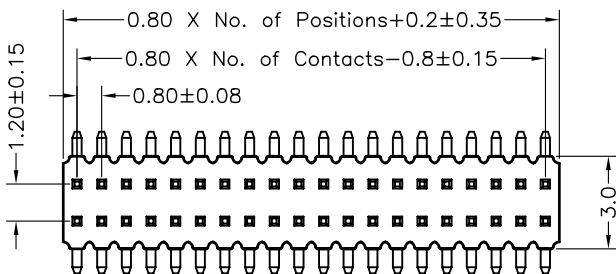
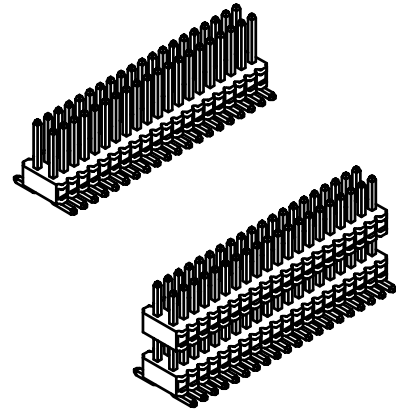
Withstanding Voltage:300V AC/minute

Mechanical:

Operating temperatures: Gold Plated:-55° C to+105° C

Tin plated:-40° C to+105° C

Soldering temperature: +260° C,10s max.



Pitch:0.80*1.20mm(0.031"*0.047") Female Header Dual Row S.M.T Type

Technical Data

Material:

Contact Material: Brass

Insulator Material:Black Polyester UL94V-0

Standard:PA6T+30%G.F

Electrical:

Current rating: 0.5Amps/contact max.

Contact resistance: $\leq 20m\Omega$ /contact

Insulation resistance: $\geq 1000M\Omega$ at V=100V

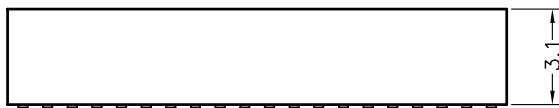
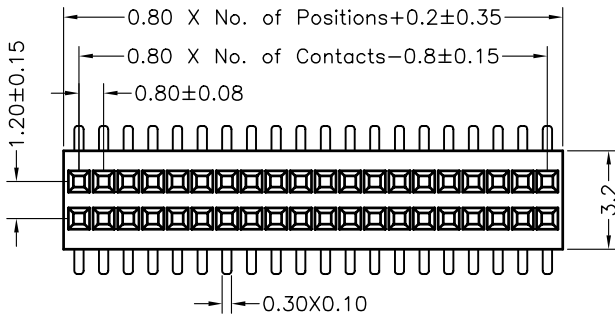
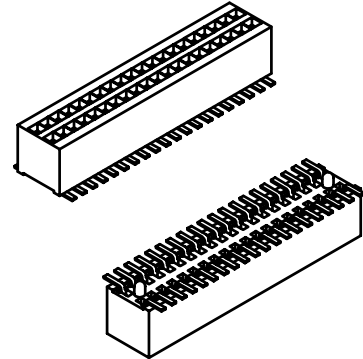
Withstanding Voltage:300V AC/minute

Mechanical:

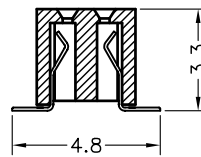
Operating temperatures: Gold Plated:-55° C to+105° C

Tin plated:-40° C to+105° C

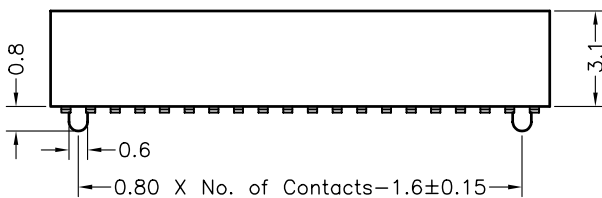
Soldering temperature: +260° C,10s max.



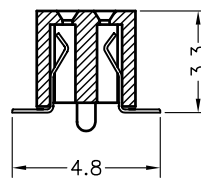
203-0.8SMT-2*XXP (XX:NO. of Positions Per Row 03 thru 50)



Type 1



203-0.8SMT-2*XXP (With Location Column)
(XX:NO. of Positions Per Row 03 thru 50)



Type 2

