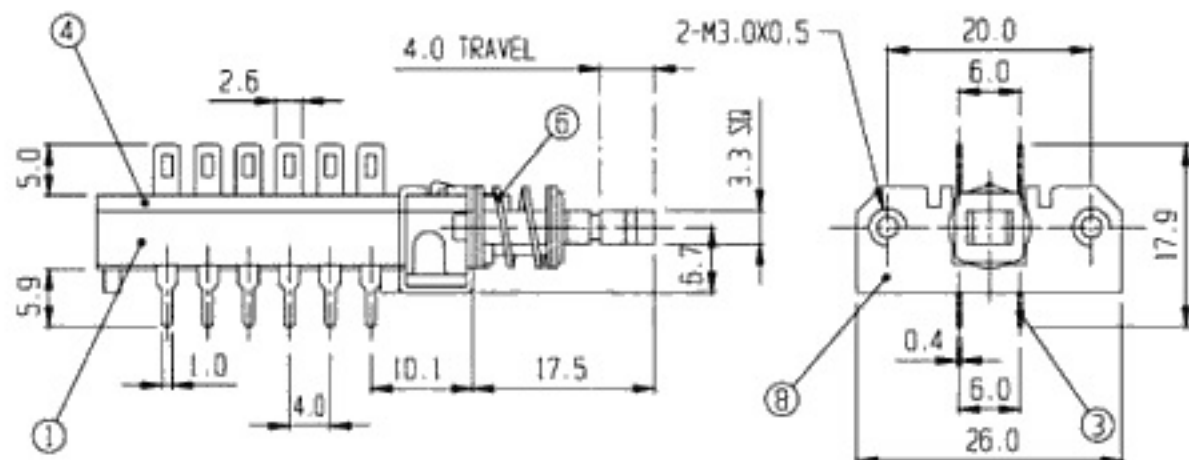


RoHS Compliance



| | | | | | | | | | |
|----|----------|------------|-----|-----------|----|---------------|------------|-----|-----------|
| 7 | HOOK | STEEL WIRE | 1 | | 8 | SHELF | S P C C | 1 | Ni PLATED |
| 5 | CONTACT | BRASS | 4 | Ag PLATED | 6 | SPRING | STEEL WIRE | 5 | |
| 3 | TERMINAL | BRASS | 12 | Ag PLATED | 4 | TERMINAL BASE | NYLON | 1 | |
| 1 | FRAME | P C | 1 | | 2 | KNOB | P O M | 1 | |
| NO | PART | MATERIAL | QTY | REMARKS | NO | PART | MATERIAL | QTY | REMARKS |

ISSUED

SPECIFICATION

TITLE: PUSH BUTTON SWITCH (4P2T)
(LOCK)

RATING: DC 30V 0.5A

CONTACT RESISTANCE: 30mΩ max.

INSULATION RESISTANCE: 100MΩ at 500V DC

WITHSTAND VOLTAGE: AC 500V for 1 minute

OPERATION FORCE: REFER ATTACH SPECIFICATION

SWITCHING LIFE: 10K cycles min.

MODEL NO: PBS-42H04-F18

| | | | |
|------------------|-------------|--------|--|
| TOLERANCE | UNIT: MM | DWN. | |
| UP TO 1.0:±0.1 | SCALE: 2:3 | CHK'D. | |
| 1.0 TO 10.0:±0.2 | VERSION: 02 | APPD. | |
| OVER 10.0:±0.3 | DRWG NO: | | |

