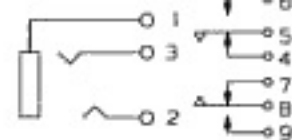
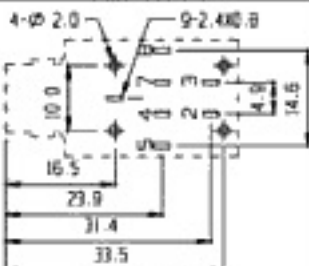


MATING PLUG

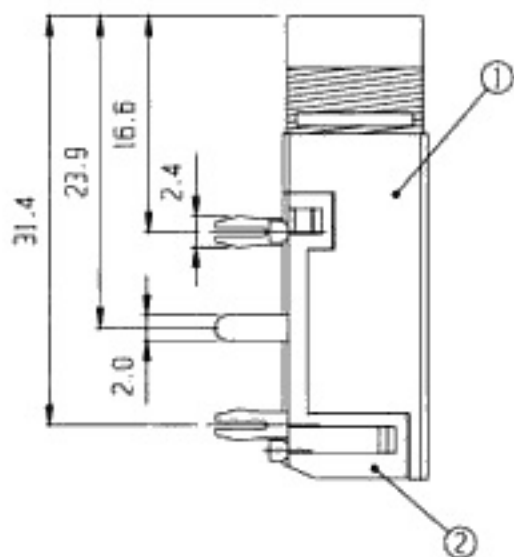
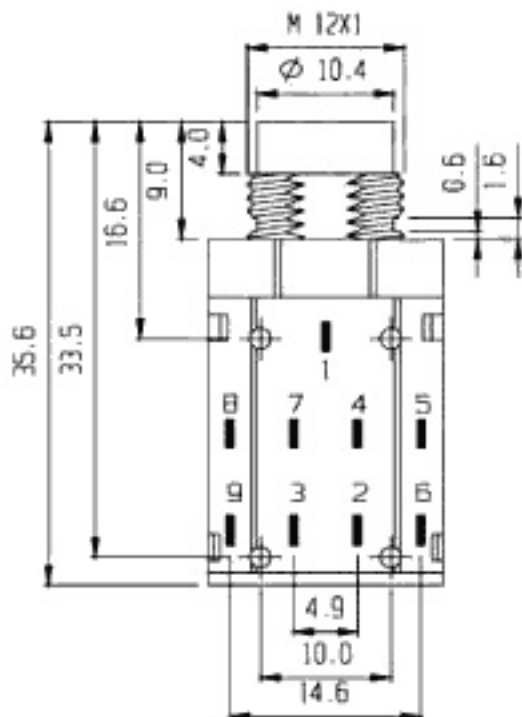
RoHS
Compliance



SCHEMATIC



PCB LAYOUT



5	SHEATH	BRASS	1	Au PLATED					
3	TERMINAL	P B S	6	Ag PLATED	4	TERMINAL	BRASS	3	Ag PLATED
1	FRAME	A B S	1		2	FRAME	P C	1	
NO	PART	MATERIAL	QTY	REMARKS	NO	PART	MATERIAL	QTY	REMARKS

ISSUED

SPECIFICATION

TITLE: MICRO-PHONE JACK



RATING: DC 30V 0.3A
 CONTACT RESISTANCE: 50mΩ max.
 INSULATION RESISTANCE: 100MΩ at 500V DC
 WITHSTAND VOLTAGE: AC 500V for 1 minute
 OPERATION FORCE: REFER ATTACH SPECIFICATION
 SWITCHING LIFE: 5k cycle min.

MODEL NO: PJ-64019-R1

TOLERANCE	UNIT: MM	DWN.	<i>hw</i>
UP TO 1.0:±0.1	SCALE: 2:1	CHK'D.	<i>hw</i>
1.0 TO 10.0:±0.2	VERSION: 01	APPD.	<i>hw</i>
OVER 10.0:±0.3	DRWG NO:		