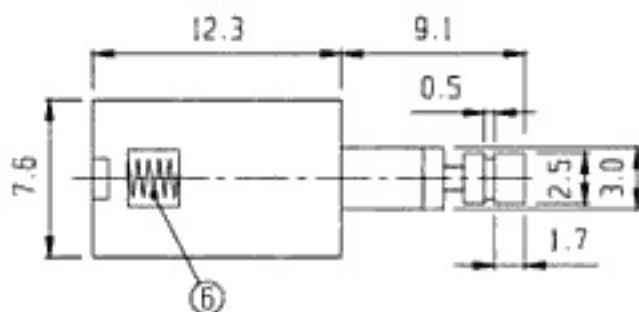
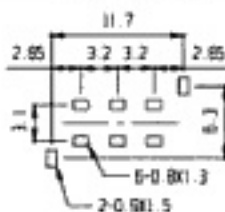


Non-shorting
shorting

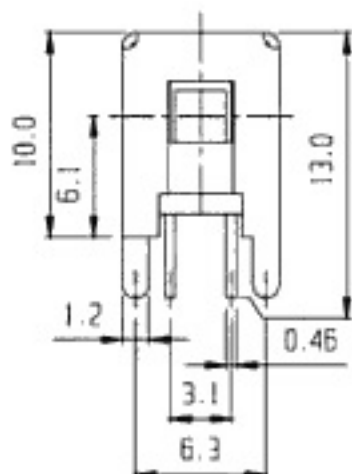
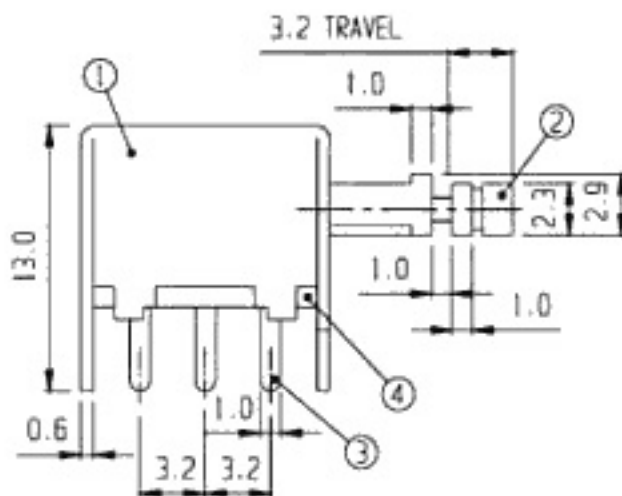


SCHEMATIC



PCB LAYOUT

RoHS
Compliance



5	CONTACT	P B S	2	Ag PLATED	6	SPRING	STEEL WIRE	1	
3	TERMINAL	BRASS	6	Ag PLATED	4	TERMINAL BASE	PHENOL RESIN	1	NATURAL
1	FRAME	SPCC	1	Ni PLATED	2	KNOB	P O M	1	
NO	PART	MATERIAL	QTY	REMARKS	NO	PART	MATERIAL	QTY	REMARKS

ISSUED

SPECIFICATION

TITLE: PUSH SLIDE SWITCH (2P2T)
(UNLOCK)



RATING: DC 30V 0.3A
 CONTACT RESISTANCE: 30mΩ max.
 INSULATION RESISTANCE: 500MΩ at 500V DC
 WITHSTAND VOLTAGE: AC 500V for 1 minute.
 OPERATION FORCE: REFER ATTACH SPECIFICATION
 SWITCHING LIFE: 10K cycles min.

MODEL NO: PS-22F01

TOLERANCE	UNIT: MM	DWN.	<i>hws</i>
UP TO 1.0: ±0.1	SCALE: 3:1	CHK'D.	<i>mm</i>
1.0 TO 10.0: ±0.2	VERSION: 01	APPD.	<i>[Signature]</i>
OVER 10.0: ±0.3	DRWG NO:		