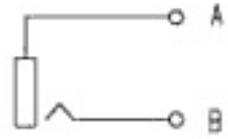
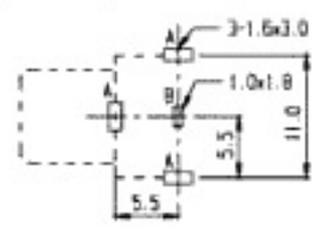


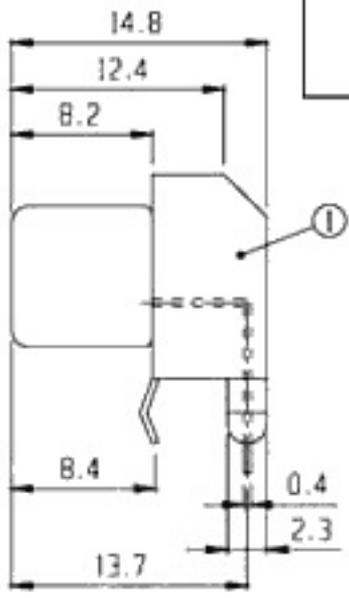
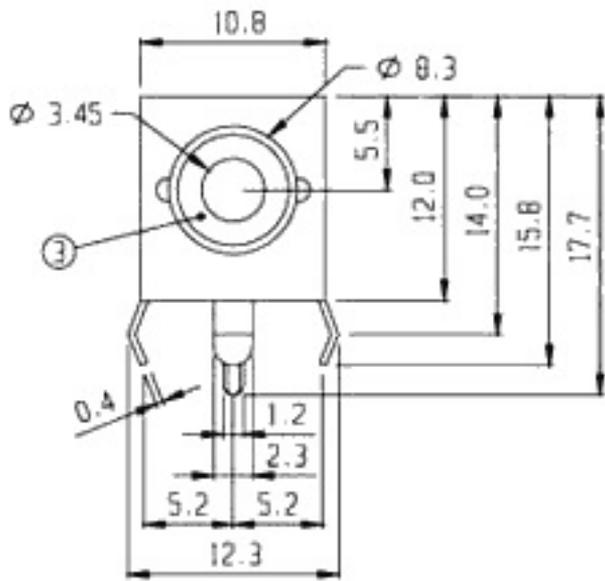
RoHS Compliance



SCHEMATIC



PCB LAYOUT



3	KNOB	P C	1		4	TERMINAL	P B S	1	Ni PLATED
1	FRAME	SPCC	1	Ni PLATED	2	FRAME	BRASS	1	Ni PLATED
NO.	PART	MATERIAL	QTY	REMARKS	NO.	PART	MATERIAL	QTY	REMARKS

ISSUED SPECIFICATION TITLE: RCA JACK

RATING: DC 30V 0.3A MODEL NO: RCA-008A

	CONTACT RESISTANCE: 50mΩ max.	TOLERANCE	UNIT: MM	DWN.	<i>hw</i>
	INSULATION RESISTANCE: 100MΩ AT 500V DC	UP TO 1.0:±0.1	SCALE: 2.5:1	CHK'D.	<i>hw</i>
	WITHSTAND VOLTAGE: AC 500V for 1 minute	1.0 TO 10.0:±0.2	VERSION: 02	APPD.	<i>hw</i>
	OPERATION FORCE: REFER ATTACH SPECIFICATION	OVER 10.0:±0.3	DRWG NO:		
SWITCHING LIFE: 5K cycle min.					