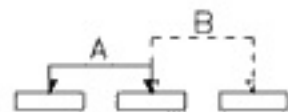
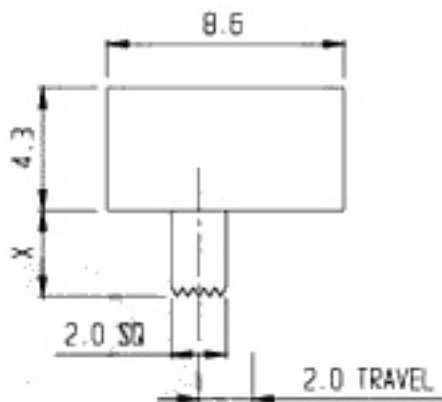
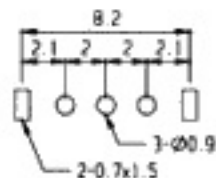


Non-shorting
shorting

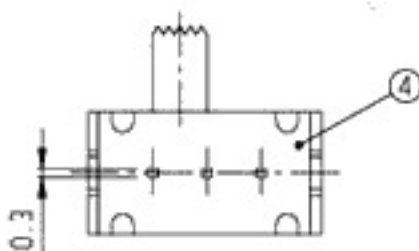
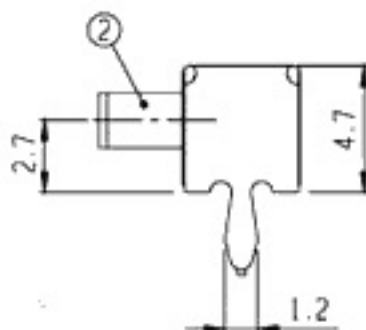
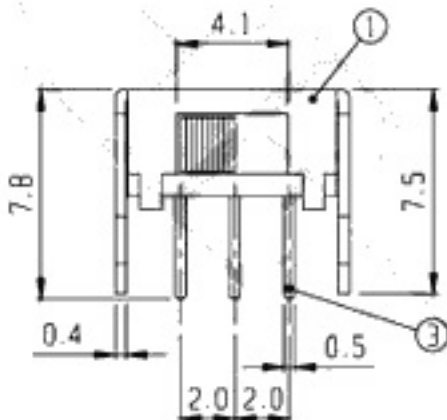


SCHEMATIC



PCB LAYOUT

RoHS
Compliance



5	CONTACT	P B S	1	Ag PLATED	6	SPRING PLATE	P B S	1	
3	TERMINAL	BRASS	3	Ag PLATED	4	TERMINAL BASE	PHENOL RESIN	1	NATURAL
1	FRAME	S P C C	1	Ni PLATED	2	KNOB	P O M	1	EG 2-10
NO	PART	MATERIAL	QTY	REMARKS	NO	PART	MATERIAL	QTY	REMARKS

ISSUED

SPECIFICATION

TITLE: SIDE KNOB SLIDE SWITCH (1P2T)

RATING: DC 30V 0.3A
 CONTACT RESISTANCE: 30mΩ max.
 INSULATION RESISTANCE: 500MΩ at 500V DC
 WITHSTAND VOLTAGE: AC 500V for 1 minute
 OPERATION FORCE: REFER ATTACH SPECIFICATION
 SWITCHING LIFE: 10K cycles min.

MODEL NO: SK-12D01 (EG)

TOLERANCE	UNIT: MM	DWN.	hso
UP TO 1.0:±0.1	SCALE: 4:1	CHK'D.	mm
1.0 TO 10.0:±0.2	VERSION: 02	APPD.	
OVER 10.0:±0.3	DRWG NO:		

