
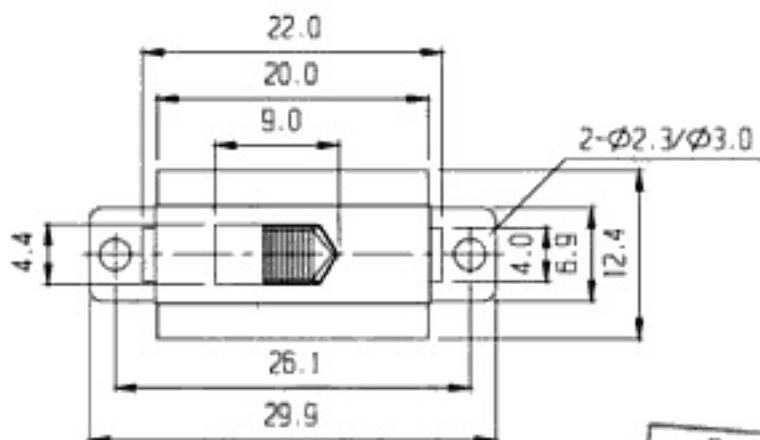
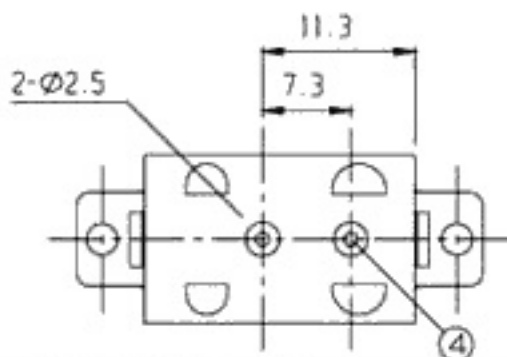
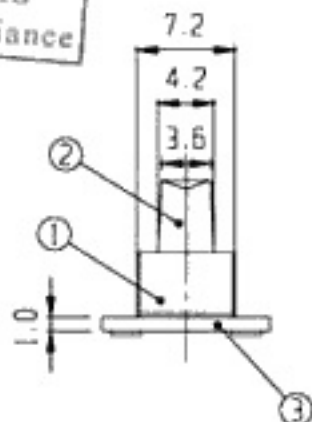
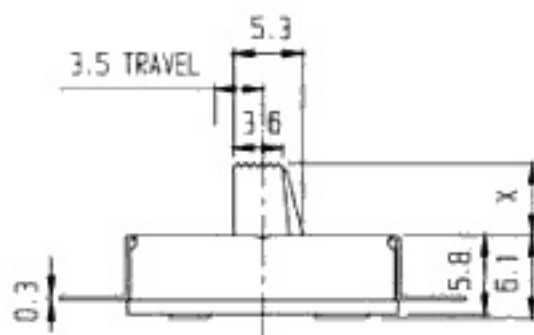


OFF  ON

**SCHEMATIC**



RoHS Compliance



5	CONTACT	P B S	1	
3	TERMINAL BASE	PHENOL RESIN	1	NATURAL
1	FRAME	S P C C	1	NI PLATED
NO	PART	MATERIAL	QTY	REMARKS

4	NAIL	BRASS	2	
2	KNOB	A B S	1	AG 4.5,7,7.5
NO	PART	MATERIAL	QTY	REMARKS

ISSUED

SPECIFICATION

TITLE: SLIDE SWITCH (IPIT)



RATING: DC 30V 0.5A  
 CONTACT RESISTANCE: 30mΩ max.  
 INSULATION RESISTANCE: 100MΩ at 500V DC  
 WITHSTAND VOLTAGE: AC 500V for 1 minute  
 OPERATION FORCE: REFER ATTACH SPECIFICATION  
 SWITCHING LIFE: 10K cycles min.

MODEL NO: SS-11G01(AG)

TOLERANCE	UNIT: MM	DWN.	<i>hws</i>
UP TO 1.0:±0.1	SCALE: 2:1	CHK'D.	<i>hws</i>
1.0 TO 10.0:±0.2	VERSION: 01	APPD.	<i>hws</i>
OVER 10.0:±0.3	DRWG NO:		