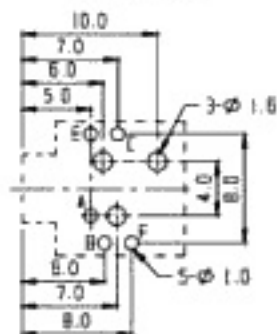
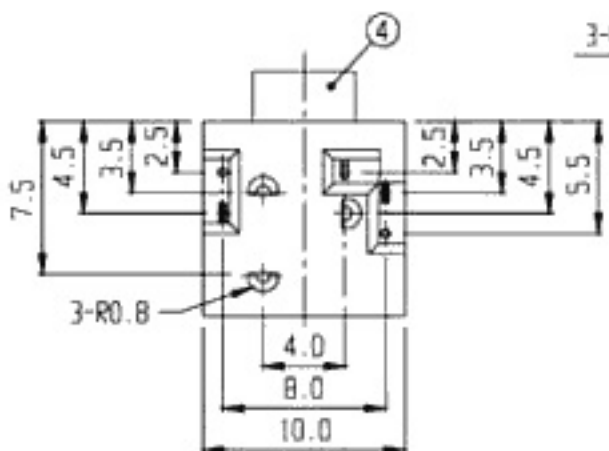
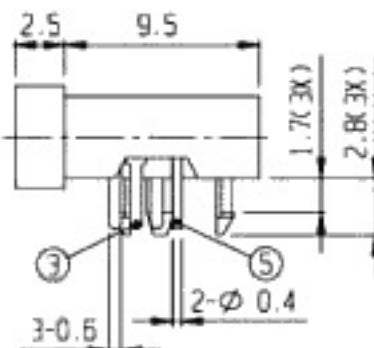
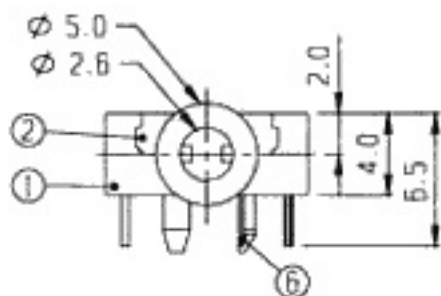




**SCHEMATIC**



**PCB LAYOUT**



RoHS  
Compliance

5	TERMINAL	BRASS	2	Ag PLATED	6	TERMINAL	P B S	1	Ag PLATED
3	CONTACT	S U S	2	Ag PLATED	4	SHEATH	BRASS	1	Ni PLATED
1	FRAME	PA 43L	1		2	COVER BOARD	PA 43L	1	
NO.	PART	MATERIAL	QTY	REMARKS	NO.	PART	MATERIAL	QTY	REMARKS

**ISSUED**

**SPECIFICATION**

**TITLE: 2.5mm STEREO JACK**



**RATING:** DC 30V 0.3A  
**CONTACT RESISTANCE:** 50mΩ max.  
**INSULATION RESISTANCE:** 100MΩ AT 500V DC  
**WITHSTAND VOLTAGE:** AC 500V for 1 minute  
**OPERATION FORCE:** REFER ATTACH SPECIFICATION  
**SWITCHING LIFE:** 5K cycles(15-18 cycles/min unloading)

**MODEL NO: ST-2517**

**TOLERANCE** UNIT: MM  
 UP TO 1.0:±0.1 SCALE: 3:1  
 1.0 TO 10.0:±0.2 VERSION: 2  
 OVER 10.0:±0.3 DRWG NO:

**DWN.** *hoo*  
**CHK'D.** *m*  
**APPD.** *[Signature]*