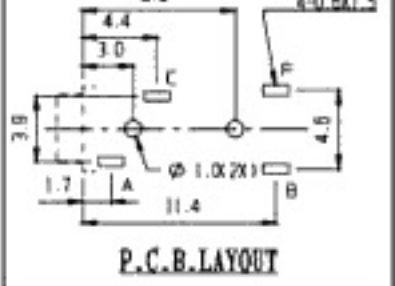
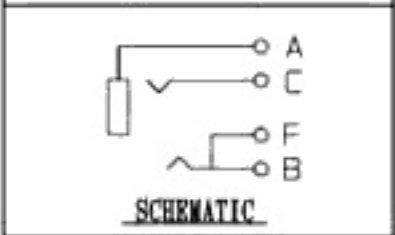


RoHS Compliance

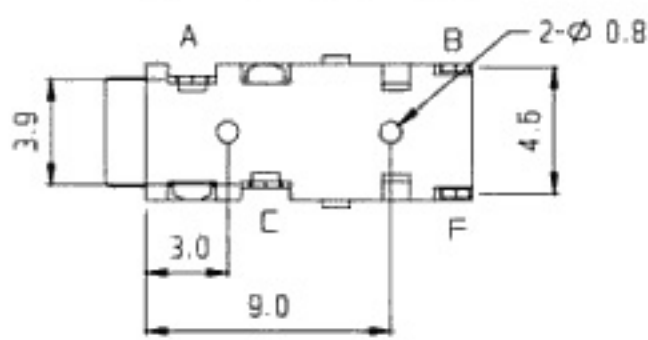
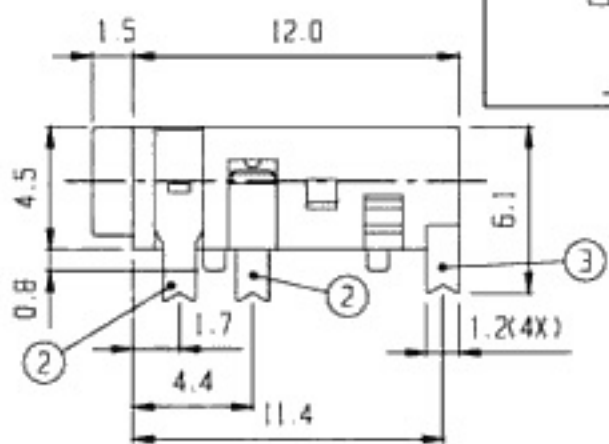
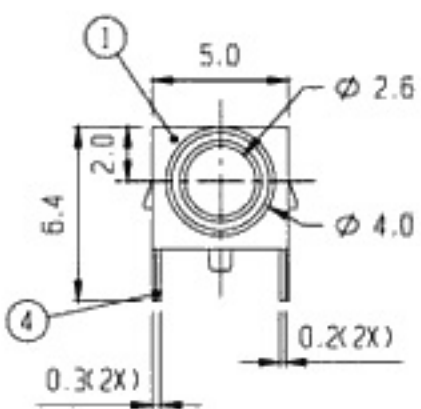


P.C.B. LAYOUT



SCHEMATIC

MATING PLUG



3	TERMINAL	P B S	1	Ag PLATED	4	TERMINAL	BRASS	1	Ag PLATED
1	FRAME	NYLON	1		2	TERMINAL	P B S	2	Ag PLATED
NO.	PART	MATERIAL	QTY	REMARKS	NO.	PART	MATERIAL	QTY	REMARKS

ISSUED

SPECIFICATION

TITLE: 2.5mm STERED JACK



RATING:	DC 30V 0.3A
CONTACT RESISTANCE:	50mΩ max.
INSULATION RESISTANCE:	100MΩ AT 500V DC
WITHSTAND VOLTAGE:	AC 500V for 1 minute
OPERATION FORCE:	REFER ATTACH SPECIFICATION
SWITCHING LIFE:	5,000 cycles min.

MODEL NO:	ST-2574B		
TOLERANCE	UNIT: MM	DWN.	<i>h</i>
UP TO 1.0:±0.1	SCALE: 4:1	CHK'D.	<i>m</i>
1.0 TO 10.0:±0.2	VERSION: 01	APPD.	<i>[Signature]</i>
OVER 10.0:±0.3	DRWG NO:002		