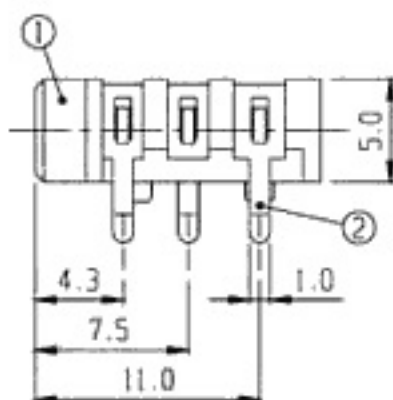
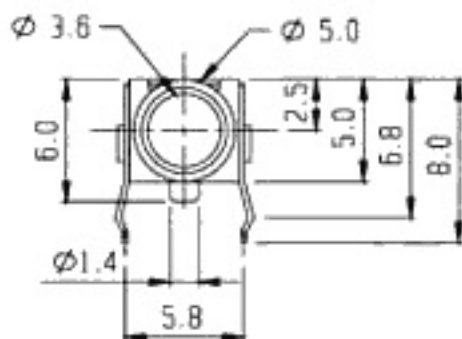
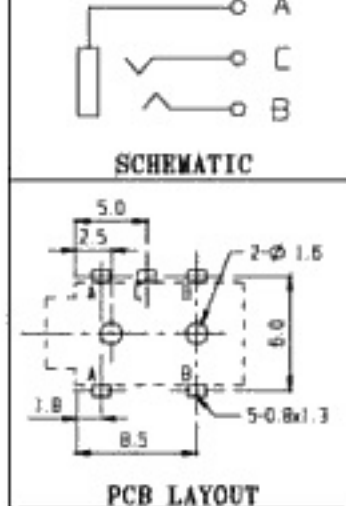


RoHS
Compliance



1	FRAME	P O M	1		2	CONTACT	P B S	3	Ag PLATED
NO.	PART	MATERIAL	QTY	REMARKS	NO.	PART	MATERIAL	QTY	REMARKS

ISSUED

SPECIFICATION

TITLE: 3.5mm STEREO JACK



RATING: DC 30V 0.3A
 CONTACT RESISTANCE: 50mΩ max.
 INSULATION RESISTANCE: 100MΩ AT 500V DC
 WITHSTAND VOLTAGE: AC 500V for 1 minute
 OPERATION FORCE: REFER ATTACH SPECIFICATION
 SWITCHING LIFE: 5M cycles (15-18 cycles/min unloading)

MODEL NO: ST-3531

TOLERANCE	UNIT: MM	DWN.	<i>hoo</i>
UP TO 1.0:±0.1	SCALE: 3:1	CHK'D.	<i>hoo</i>
1.0 TO 10.0:±0.2	VERSION: 2	APPD.	<i>hoo</i>
OVER 10.0:±0.3	DRWG NO:		