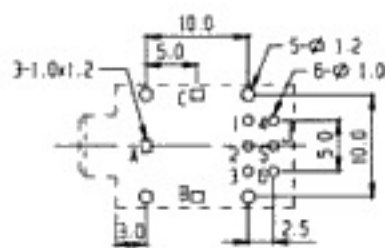
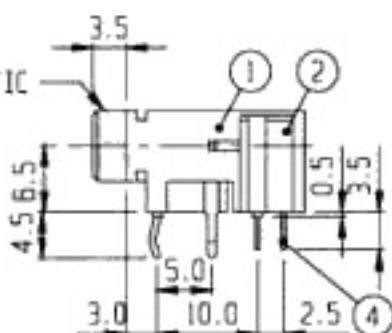
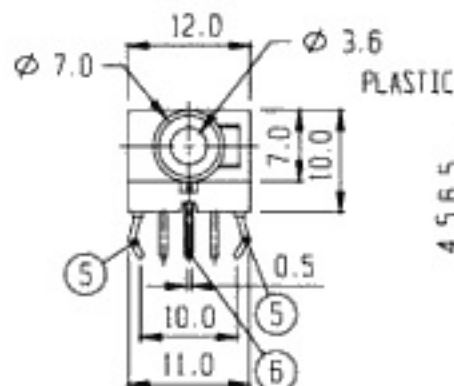
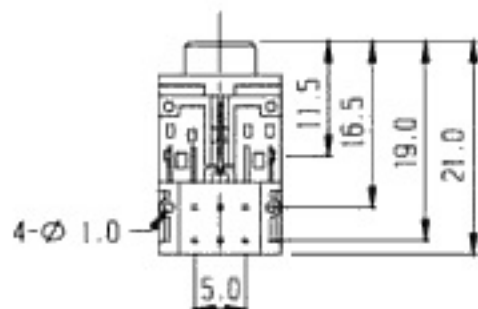


SCHMATIC



PCB LAYOUT



RoHS
Compliance

5	CONTACT	PBS-SH	2	Ag PLATED	6	TERMINAL	BRASS	1	Ag PLATED
3	COVER BOARD	P O M	1		4	TERMINAL	BRASS	6	Ni PLATED
1	FRAME	P B T	1		2	FRAME	P B T	1	
NO.	PART	MATERIAL	QTY	REMARKS	NO.	PART	MATERIAL	QTY	REMARKS

ISSUED

SPECIFICATION

TITLE: 3.5mm STEREO JACK

RATING: DC 30V 0.3A
 CONTACT RESISTANCE: 50mΩ max.
 INSULATION RESISTANCE: 100MΩ AT 500V DC
 WITHSTAND VOLTAGE: AC 500V for 1 minute
 OPERATION FORCE: REFER ATTACH SPECIFICATION
 SWITCHING LIFE: 5K cycles min

MODEL NO: ST-35362-02

TOLERANCE	UNIT: MM	DWN.	
UP TO 1.0:±0.1	SCALE: 1.5:1	CHK'D.	
1.0 TO 10.0:±0.2	VERSION: 1	APPD.	
OVER 10.0:±0.3	DRWG NO:		

