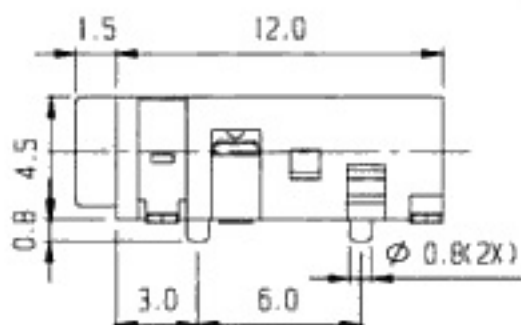
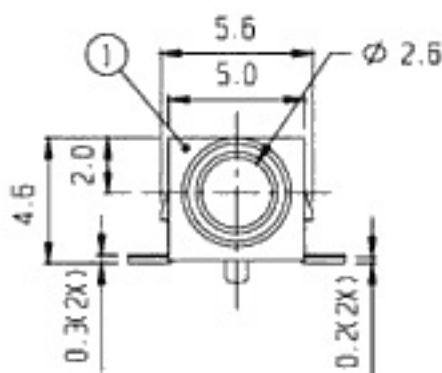


RoHS
Compliance



3	TERMINAL	P B S	1	Ag-PLATING	4	TERMINAL	BRASS	1	Ag-PLATING
1	FRAME	NYLON	1		2	TERMINAL	P B S	2	Ag-PLATING
NO.	PART	MATERIAL	QTY	REMARKS	NO.	PART	MATERIAL	QTY	REMARKS

ISSUED

SPECIFICATION

TITLE: 2.5mm SMD STERED JACK

RATING: DC 30V 0.3A
 CONTACT RESISTANCE: 50mΩ max.
 INSULATION RESISTANCE: 100MΩ AT 500V DC
 WITESTAND VOLTAGE: AC 500V for 1 minute
 OPERATION FORCE: REFER ATTACH SPECIFICATION
 SWITCHING LIFE: 5,000 cycles min.

MODEL NO: STM-25074B

TOLERANCE	UNIT: MM	DWN.	<i>hoo</i>
UP TO 1.0:±0.1	SCALE: 4:1	CHK'D.	<i>m</i>
1.0 TO 10.0:±0.2	VERSION: 02	APPD.	<i>[Signature]</i>
OVER 10.0:±0.3	DRWG NO:		

