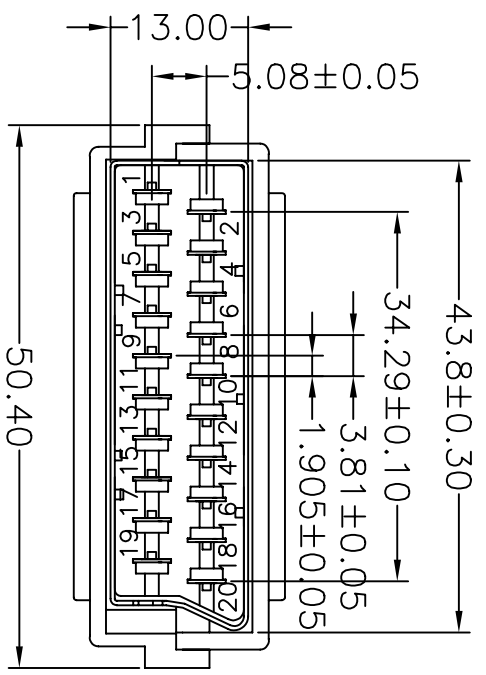
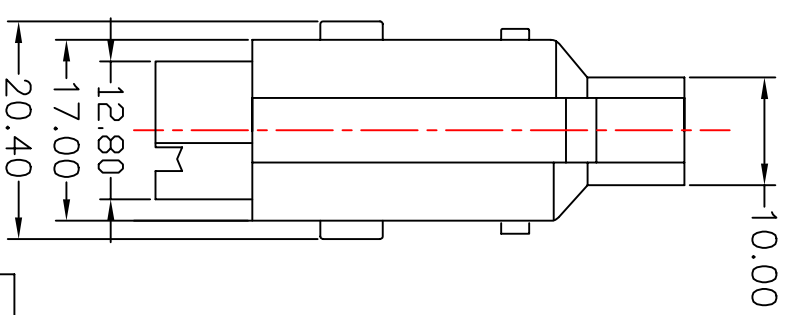
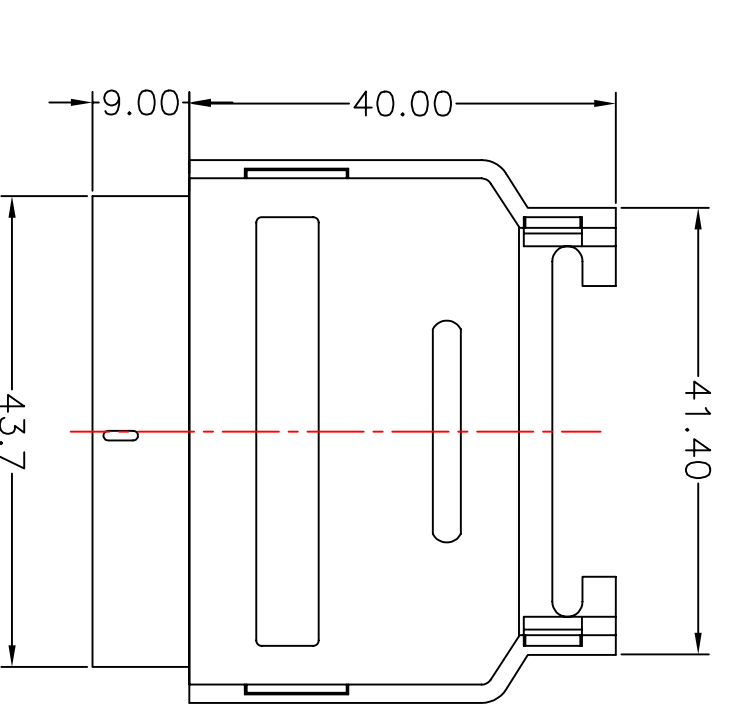


REV.	NOTES	DATE
A	RELEASED	2004/11/08



Part No.	Plating.	MATERIALS.
ASC+0400-40C	PLATED TIN	P.C.
ASC+0400-40B	PLATED TIN	P.B.T.
ASC+0400-10C	PLATED GOLD	P.C.
ASC+0400-10B	PLATED GOLD	P.B.T.

單位 (UNITS)	mm
數量 (QTY)	N/A
材料 (MTR'L)	SEE NOTE
處理 (FINISH)	SEE NOTE

繪圖 (DRAW)	圖名 (NAME)
設計 (DE'N)	180度排線葉片整組
審核 (CHK)	中心柱PC, 端子鍍錫
核准 (APP'D)	

DIMENSIONS TOLERANCE

METRIC

0 = ±.30

.00 = ±.20

.000 = ±.XXX

.0000 = ±

ANG. = ±2°

料號 (PART NUMBER)	ASC+0400-40C
圖號 (DRAW NUMBER)	RASC040040C
圖檔 (FILE NAME .DWG)	E:(GCT/A/SC/04
比例 (SCALE)	1/1
圖紙 (S/DWG)	A4
頁次 (SHEET)	1
版本 (REV.)	A