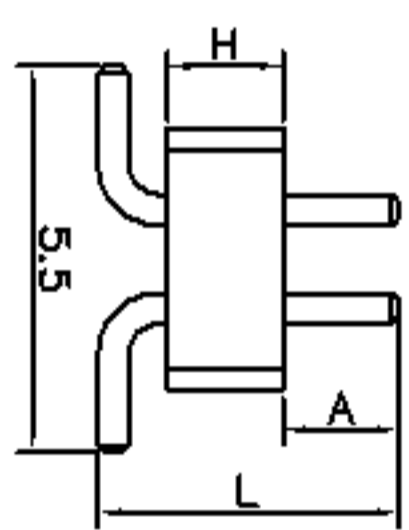
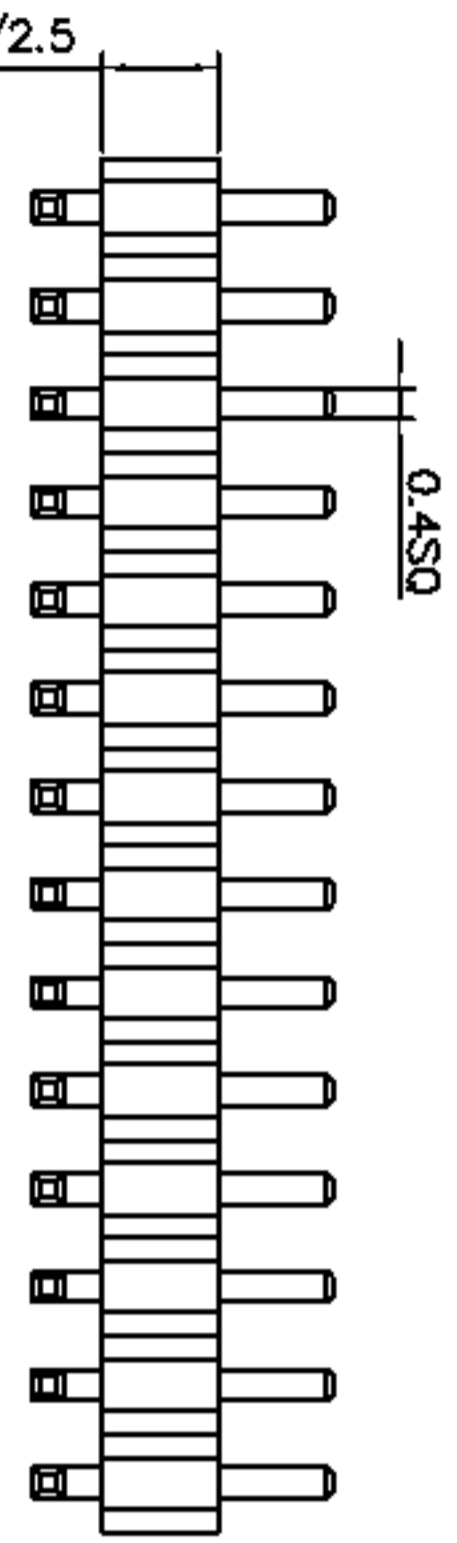
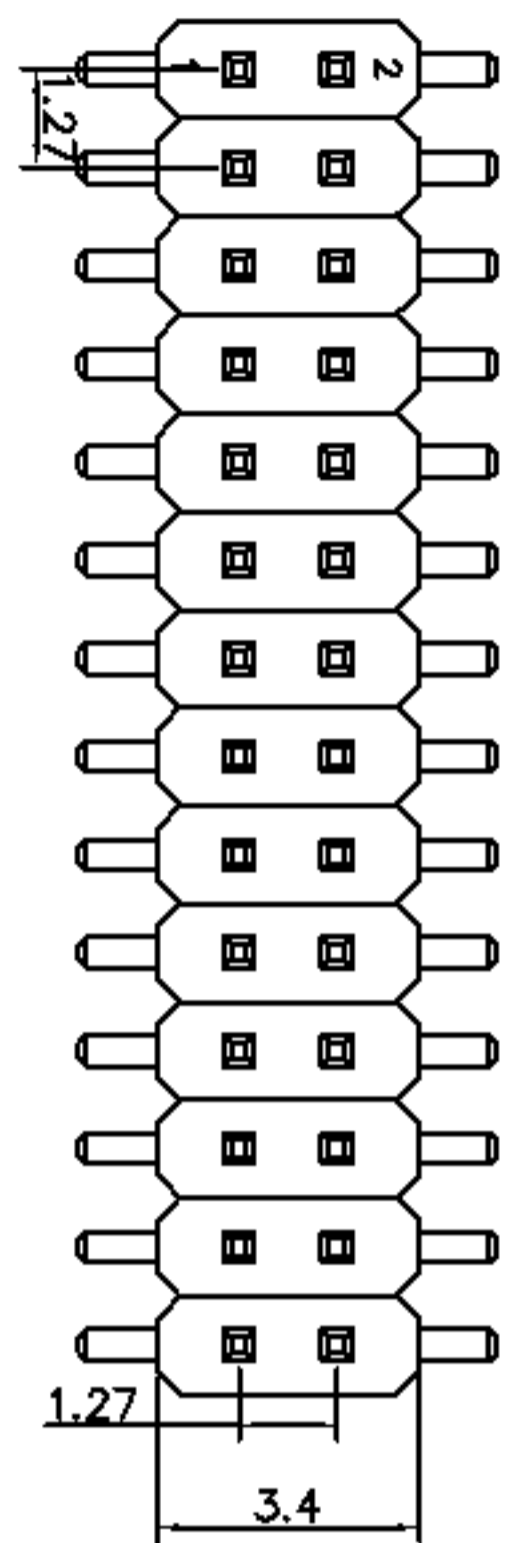
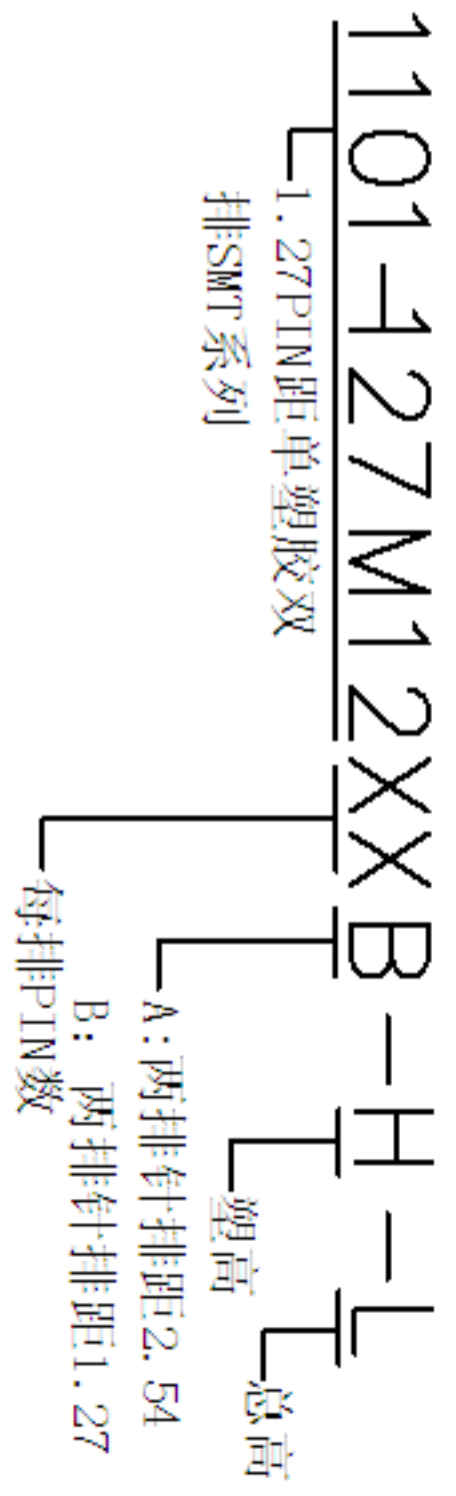


A		新版图		
		/	2011.09.07	L2M

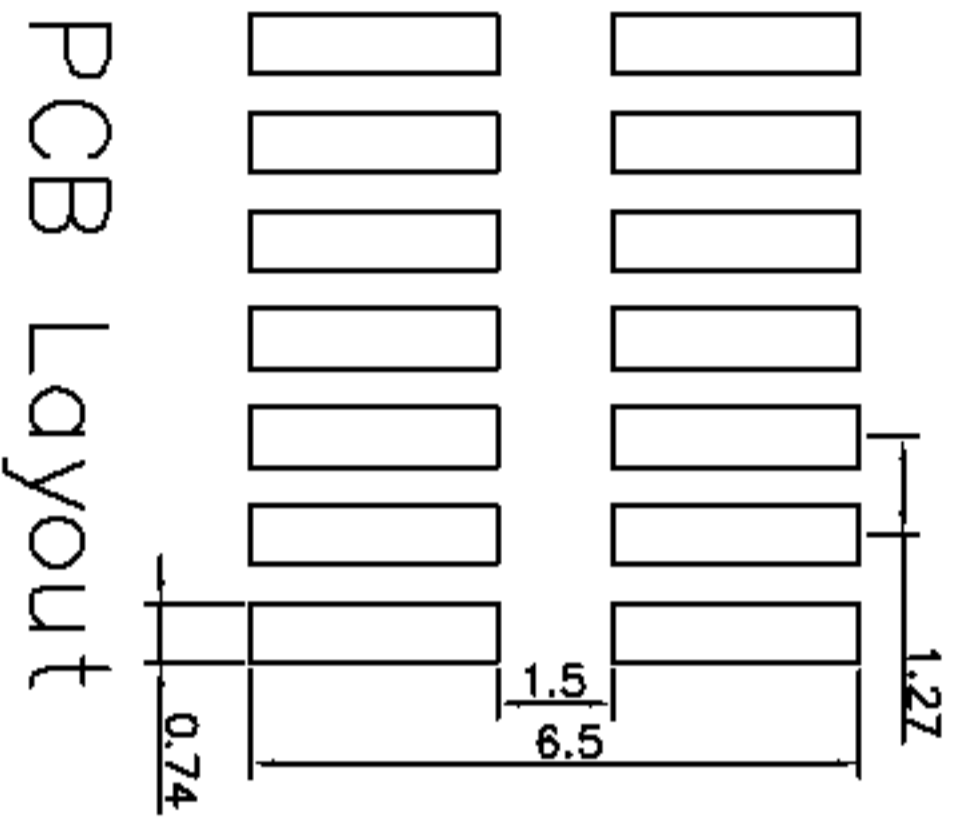


A、H、L的尺寸  
可依客户要求订做



Specification:

Current Rating: 1 Ampere  
 Insulation Resistance : 1000M ohms Min.  
 Dielectric Withstanding : 300V AC  
 Contact Resistance: 20m ohms Max.  
 Operating temperature: -40 ° C to +105 ° C  
 Material:  
 Contact: Brass, Gold Flash or per Require  
 Housing: Nylon6T UL 94V-0



PCB Layout

TOLERANCE		DRAWN		DATE		 武汉宇恒电子有限公司 WUHAN YUHENG ELECTRONIC CO., LTD
TOL	ANGLE	YSH	2011.09.07	CHECKED	DATE	
XXX =	0.05	CLIENT APPROVED		DATE		TITLE:
XX =	0.15	DATE		DATE		排针系列-1.27*1.27PIN距-双排
X -	0.20	DATE		DATE		单塑胶-SMT贴片式
X. =	0.30	DATE		DATE		RFQ NO
		DATE		DATE		CLIENT P/N
		DATE		DATE		UNIT : mm
		DATE		DATE		SCALE: free
		DATE		DATE		FILE NO. : YH20120525A009