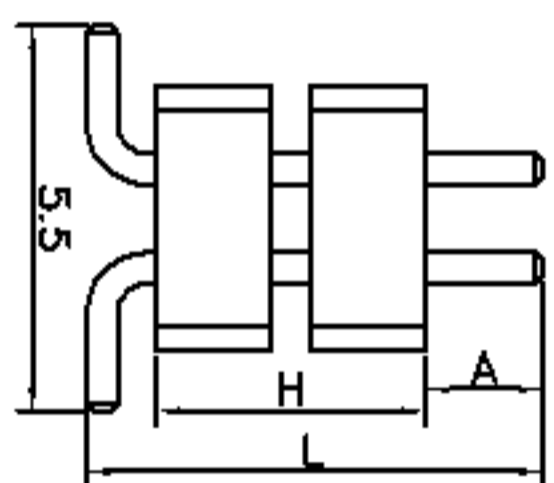
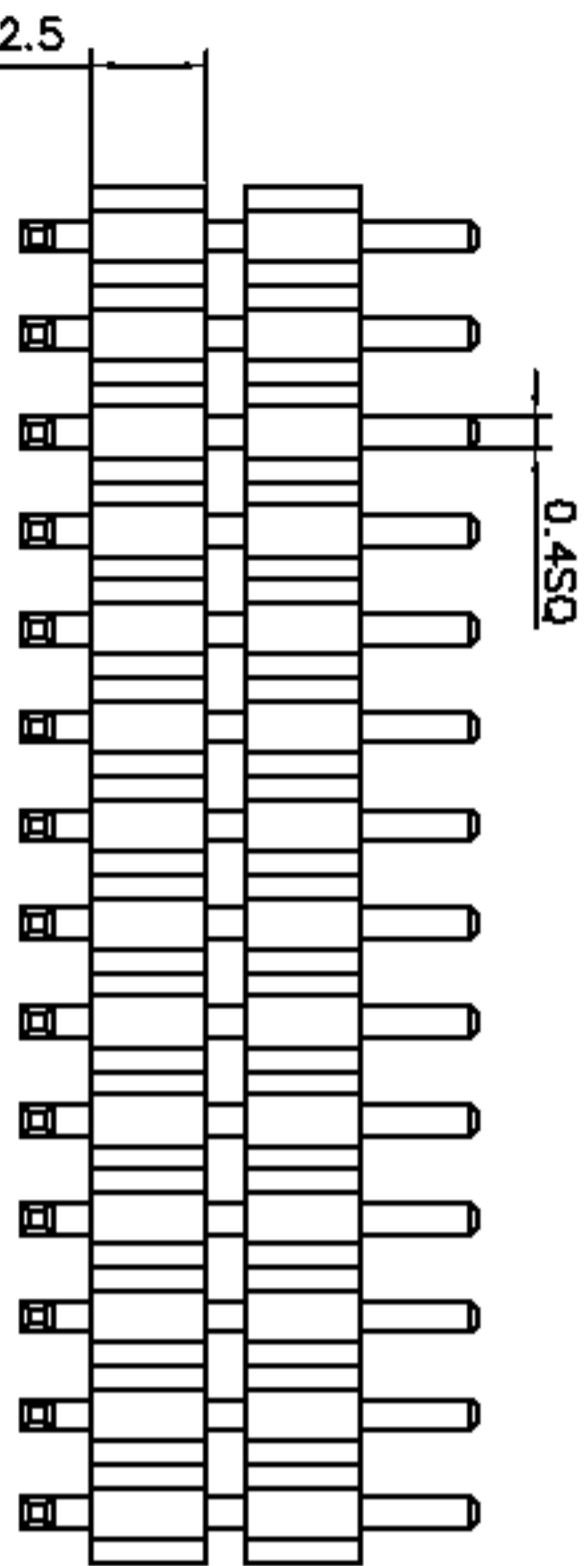
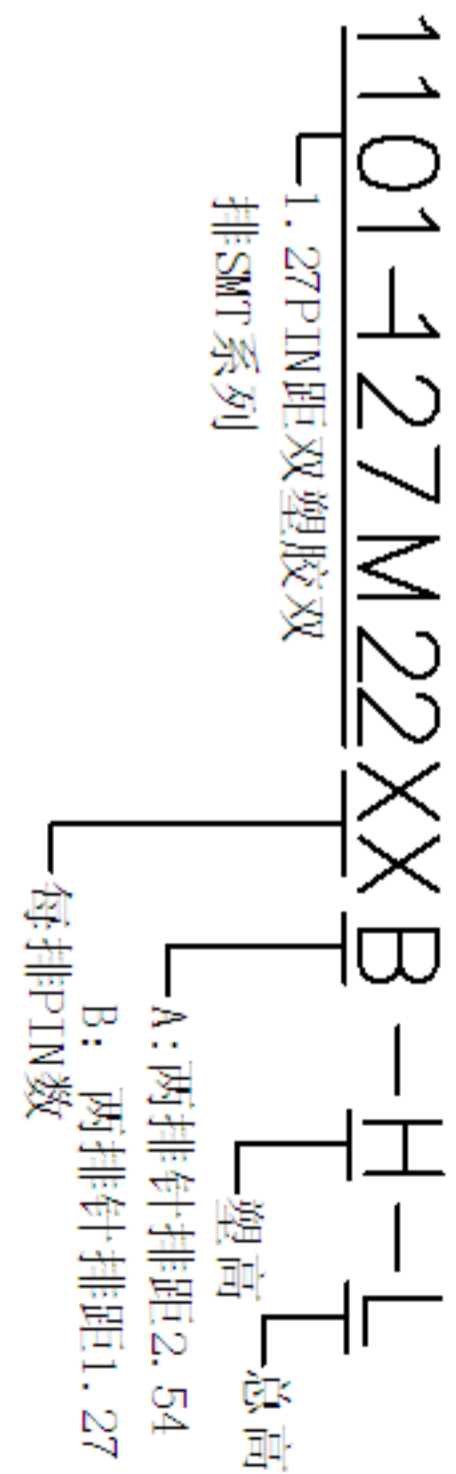
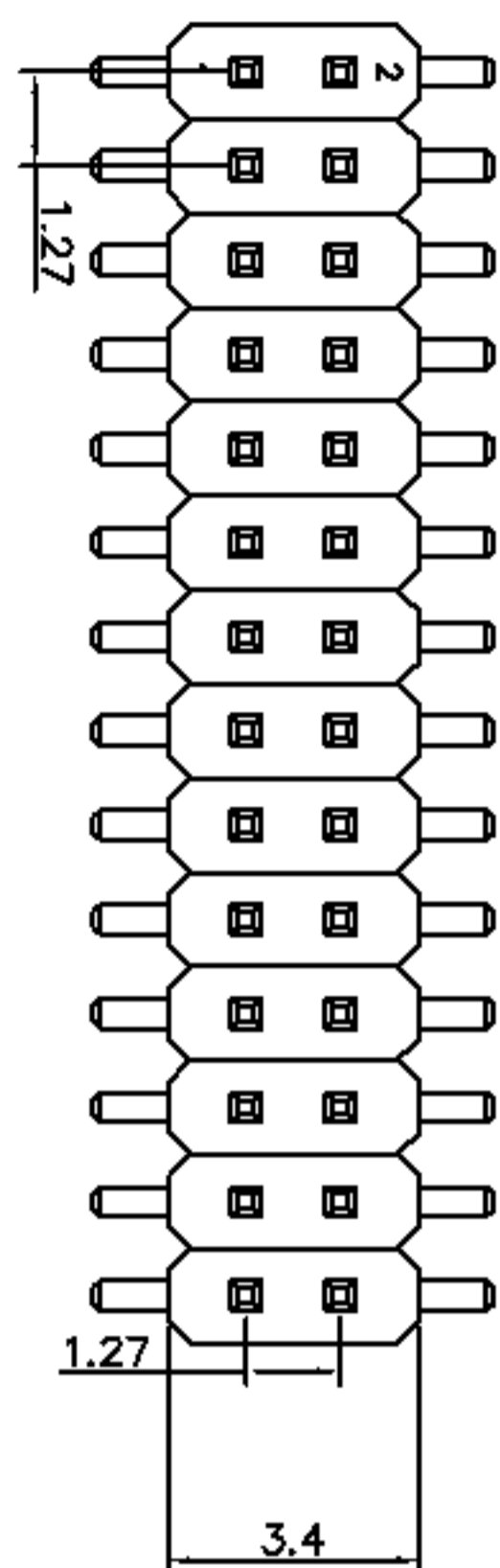
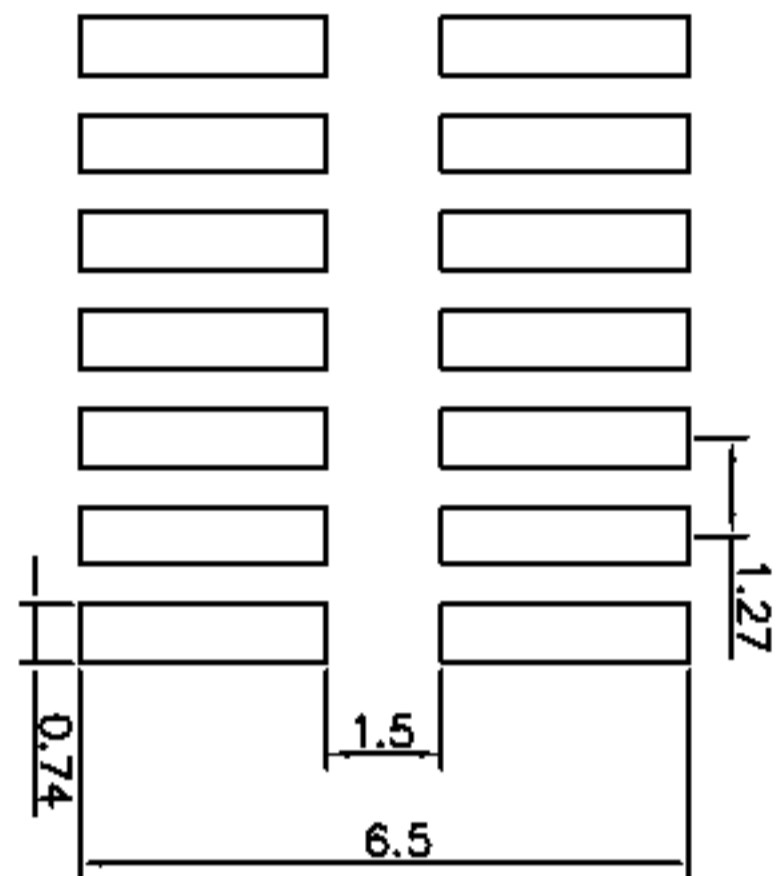


A	新版图	/	2011.09.07	LZW
---	-----	---	------------	-----



A、H、L的尺寸
可依客户要求订做

Specification:
 Current Rating: 1 Ampere
 Insulation Resistance : 1000M ohms Min.
 Dielectric Withstanding : 300V AC
 Contact Resistance: 20m ohms Max.
 Operating temperature: -40° C to +105° C
 Material:
 Contact: Brass, Gold Flash or per Require
 Housing: Nylon6T UL 94V-0



PCB Layout

TOLERANCE		CHECKED	DATE	DRAWN	DATE
TOL	ANGLE				
ON				LZW	2011.09.07
XXX =	0.05				
XX =	0.15				
X -	0.20				
X. =	0.30				

CLIENT APPROVED	DATE	TITLE:
		排针系列-1.27*1.27PIN距-双排 双塑胶-SMT贴片式
RFQ NO		
CLIENT P/N		
UNIT :	SCALE: free	
FILE NO. :	YH20120526A003	

