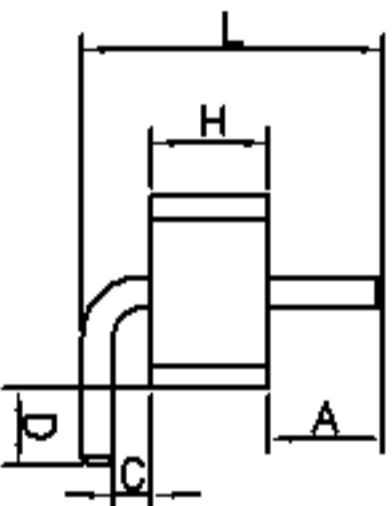
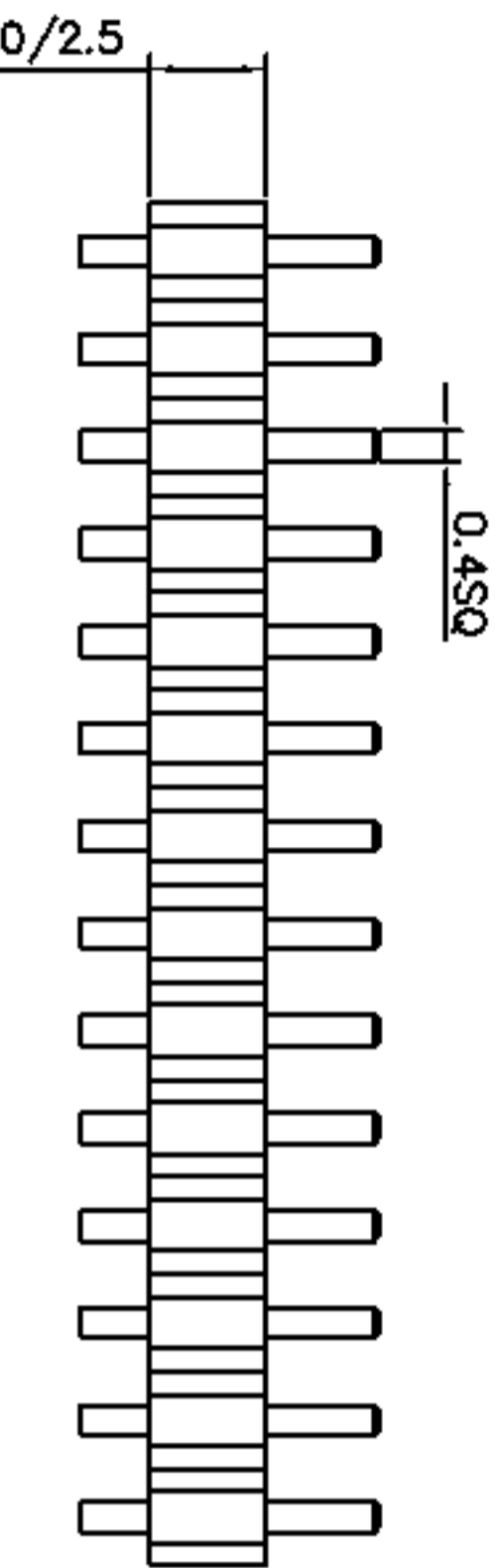
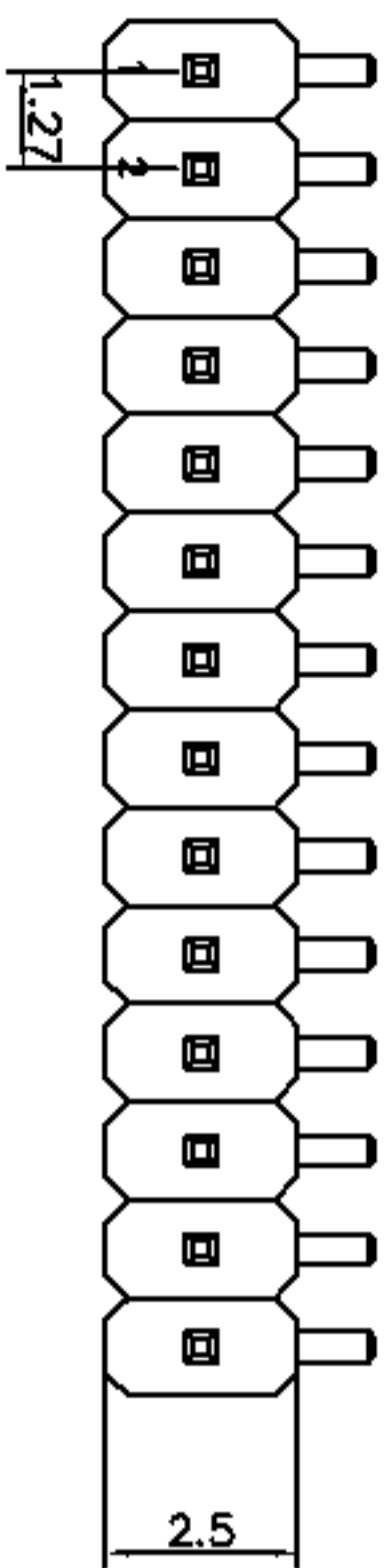


A	新版图	/	LZW



A、C、D、H、L的尺寸
可依客户要求订做



PCB Layout

Specification:

Current Rating: 1 Ampere

Insulation Resistance : 1000M ohms Min.

Dielectric Withstanding : 300V AC

Contact Resistance: 20m ohms Max.

Operating temperature: -40° C to +105° C

Material:

Contact: Brass, Gold Flash or per Require

Housing: Nylon6T UL 94V-0

1101-427R11XX 2-H-L
 1.27PIN距单塑胶单
 排弯式排针系列
 1: 表反弯; 2: 表正弯
 每排PIN数
 塑高
 总高

TOLERANCE		ANGLE
TOL		
ON	0.05	
.XXX =	0.15	1°
XX =	0.20	2°
X -	0.30	

DRAWN	DATE	 武汉宇恒电子有限公司 WUHAN YUHENG ELECTRONIC CO., LTD
LZW	2011. 09. 07	
CHECKED	DATE	TITLE:
		排针系列-1.27PIN距-单排 单塑胶-弯式
CLIENT APPROVED	DATE	REQ NO
		CLIENT P/N
		UNIT: mm
		SCALE: free
		FILE NO.: YH20120525A002