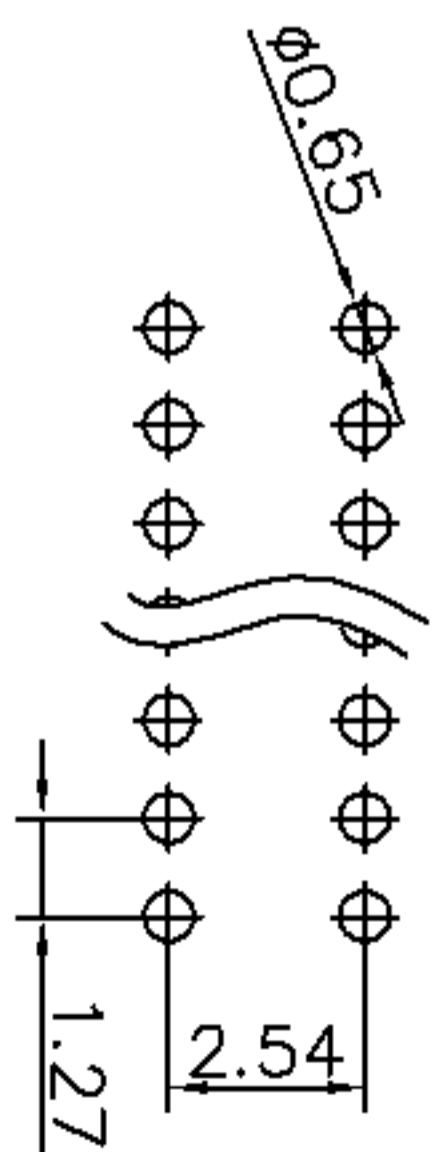
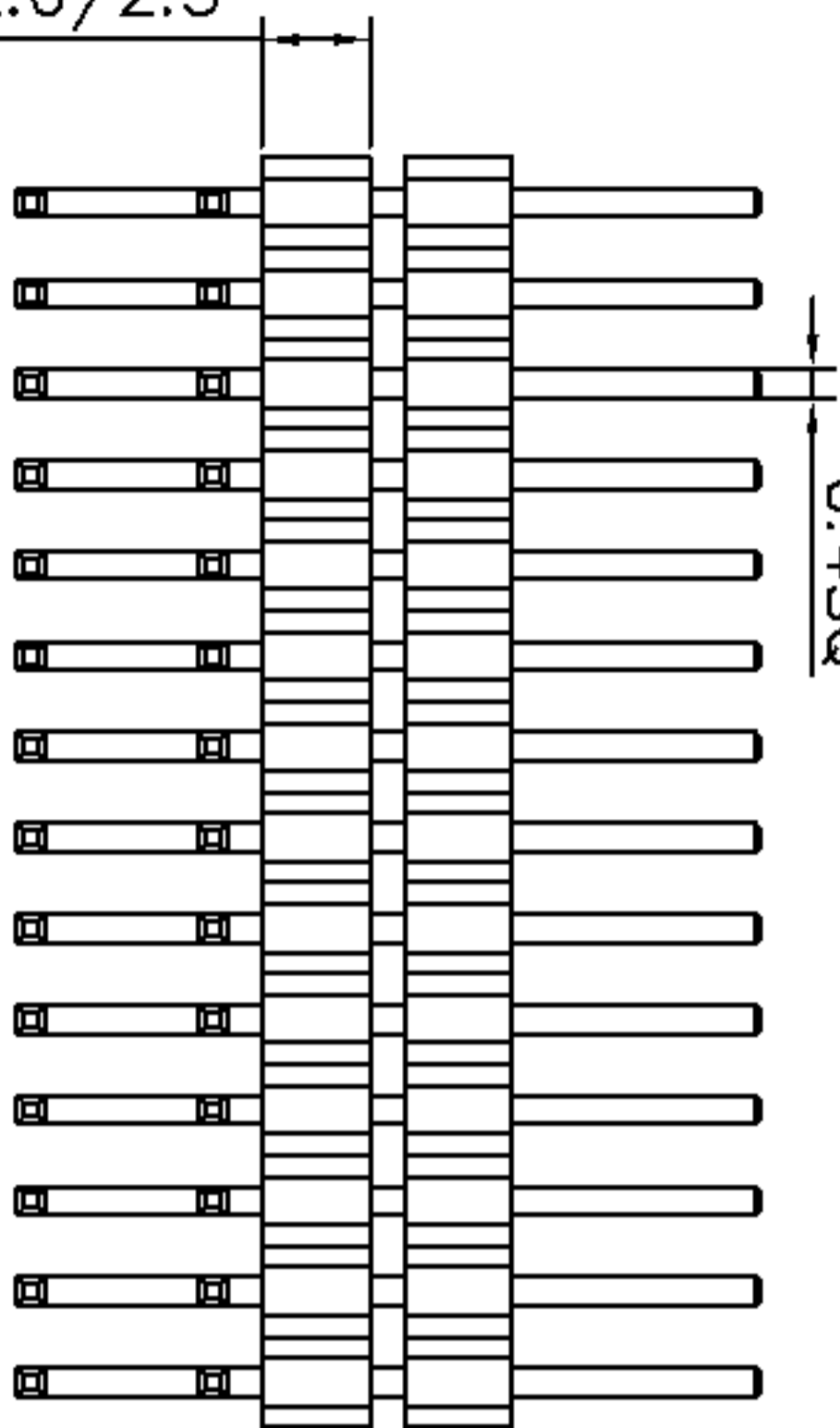
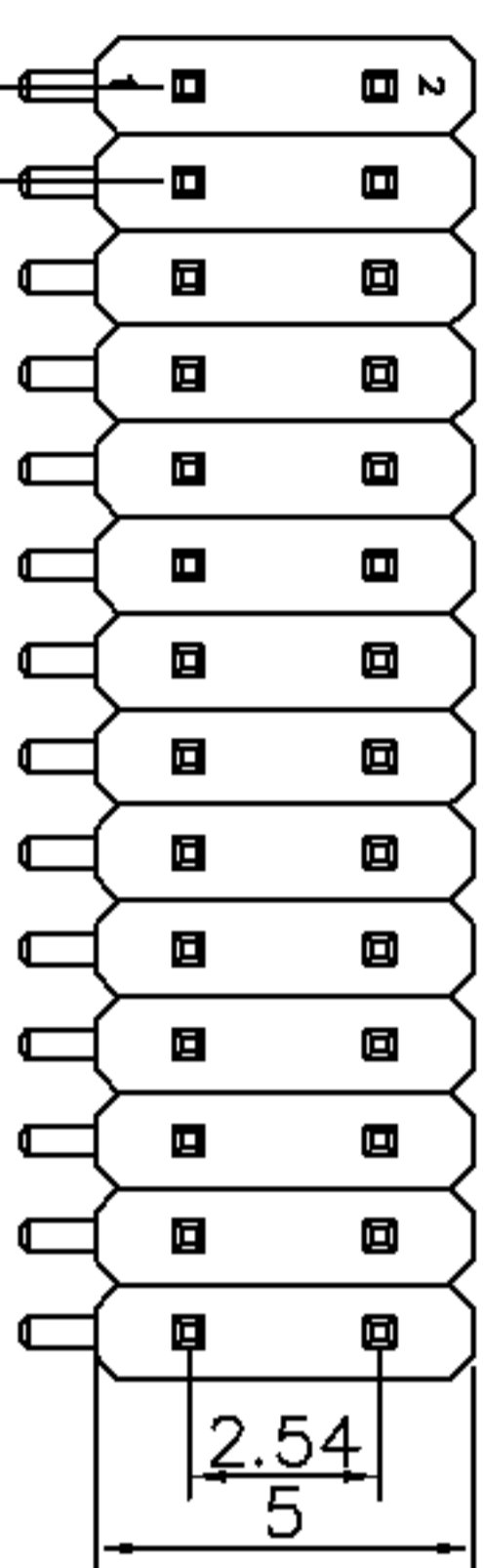


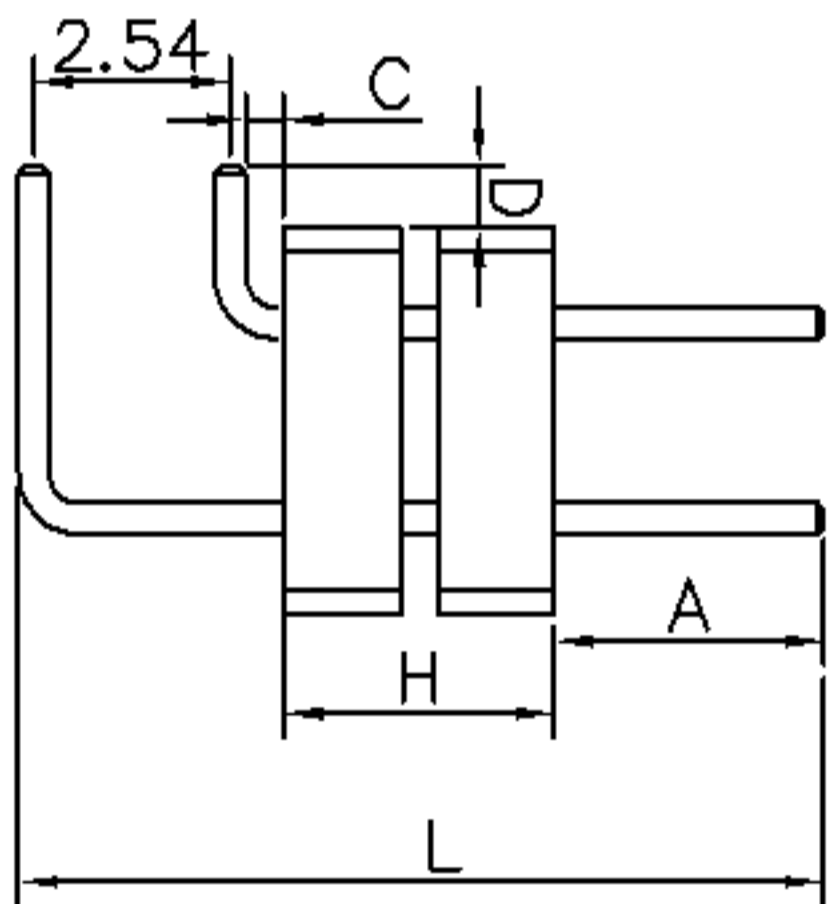
A			
	新版图		
		2011.09.07	LZW



PCB Layout

Specification:

Current Rating: 1 Ampere
 Insulation Resistance : 1000M ohms Min.
 Dielectric Withstanding : 300V AC
 Contact Resistance: 20m ohms Max.
 Operating temperature: -40° C to +105° C
 Material:
 Contact: Brass, Gold Flash or per Requirement
 Housing: Nylon6T UL 94V-0



H、L、A、C、D的尺寸
 可依客户要求订做

1.0/1.5/1.6/1.7/2.0/2.5

1101-127R22XXA-H-L

1.27PIN距双塑胶双
 排弯式排针系列



TOLERANCE		ANGLE	
TOL	ON	ANGLE	
.XXX =	0.05		
XX =	0.15	1°	
X -	0.20	2°	
X. =	0.30		

DRAWN	DATE	 武汉宇恒电子有限公司 WUHAN YUHENG ELECTRONIC CO., LTD
LZW	2011.09.07	
CHECKED	DATE	TITLE:
		排针系列-1.27*2.54PIN距-双排 双塑胶-弯式
CLIENT APPROVED	DATE	RFQ NO
		CLIENT P/N
		UNIT: mm
		SCALE: free
		FILE NO.: YH20120525A006