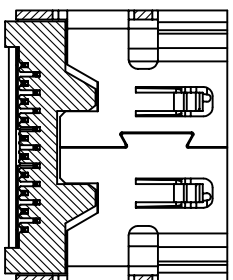
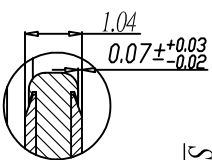
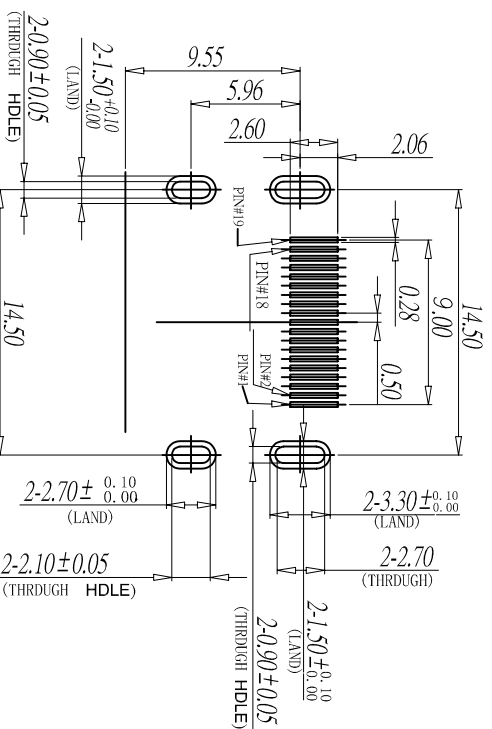
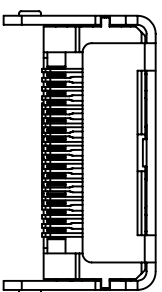
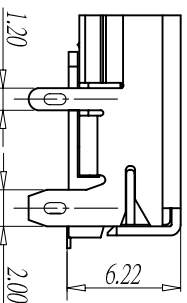
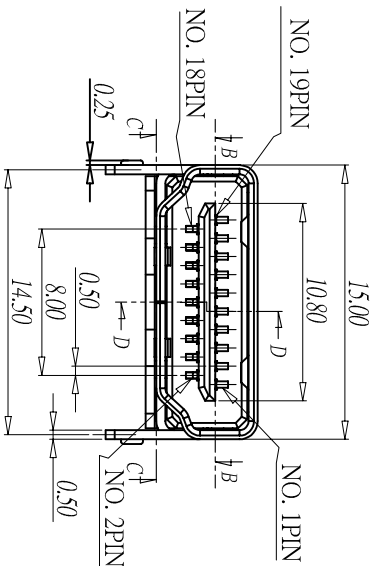


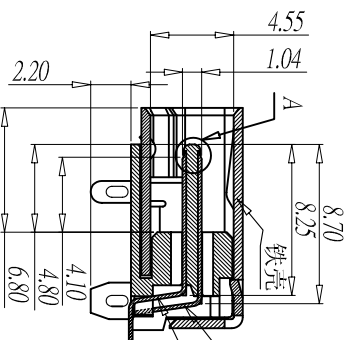
SEC B-B
SCALE 1:1



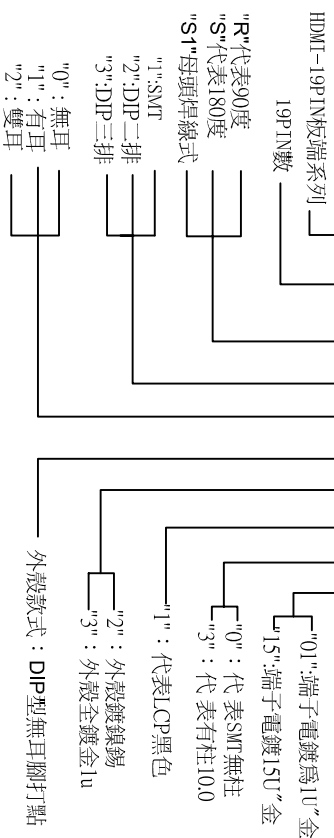
SEC C-C
SCALE 1:1



DETAIL A
SCALE 3:1



SEC D-D
SCALE 1:1



HF 19 R 1 0 - 08 2 1 0 15

- NOTE:**
- MATERIALS AND FINISH**
 - HOUSING & KEY: TEMP. PLASTIC, LCP UL 94V-0 RATED.
 - CONTACTS: COPPER ALLOY, C5191
 - SHIELD: COPPER ALLOY, C2680
 - DIMENSIONS SHALL BE INTERPRETED PER MIL-STD-105E II**
 - PRODUCT CODE:**

RoHS

REV	DESCRIPTION	MODIFICATION	DATE
A/0	新制定		06.10.24

RECOMMENDED P.C.B. PATTERN LAYORT(T)=1.6±0.1

未標示公差尺寸值	METRIC	TITLE:	HDMI板端無耳(銅殼翻打點)	DRAWN BY	FNA	SHA
.0±0.35	PRODUCT NO:	HF19R10-0821015	DESIGNED BY			
.00±0.25	FILE NO:	ZK-3-D-001	APPROVAL BY			
.000±0.15	SCALE	1:1	REV	A/1	DRAW NO	COSJ-168
					UNIT	mm

