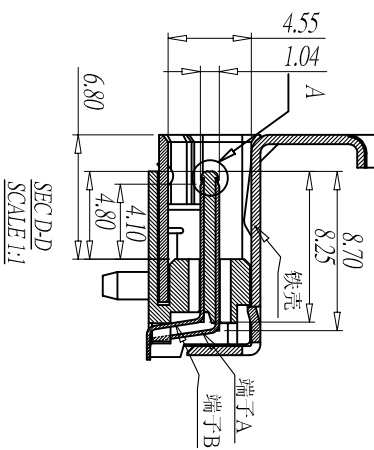
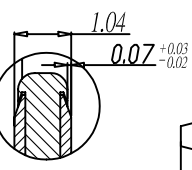
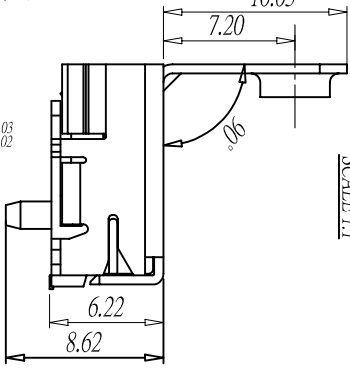
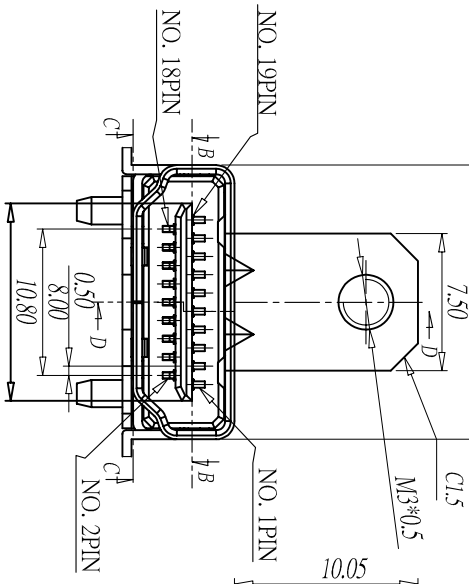
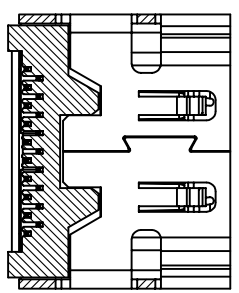
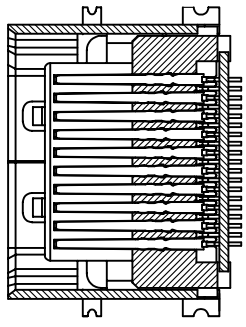
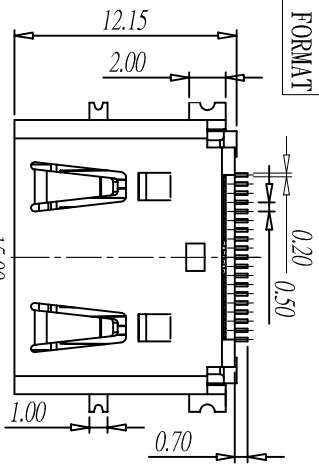


SALF5 FORMAT

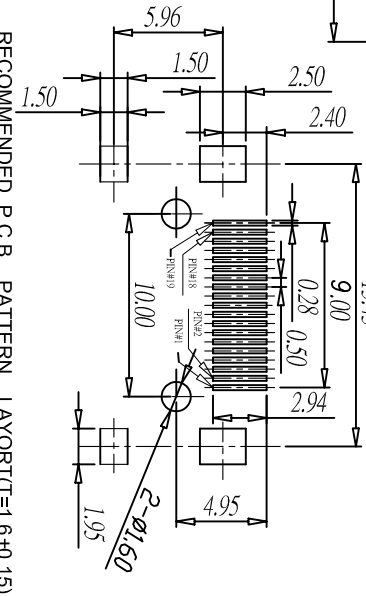
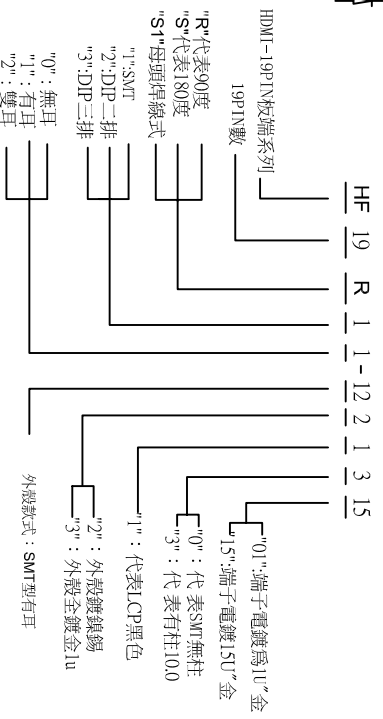


# RoHS

REV	DESCRIPTION	MODIFICATION	DATE
A/0	新制定		05.07.02
A/1	變更一	物料編碼變更	06.05.08

**NOTE:**

- MATERIALS AND FINISH**
  - HOUSING & KEY:**  
TEMP. PLASTIC, UL 94V-0 RATED.
  - CONTACTS:**  
COPPER ALLOY.  
GOLD ON CONTACT AREA,  
120u" MIN TIN PLATING ON SOLDER TAILS,  
BOTH OVER 50u" MIN NICKEL ALL OVER.
  - SHIELD:**  
COPPER ALLOY.  
PLATING NICKEL 80u" MIN ALL OVER.
- RECOMMENDED SCREWMING TORQUE:**  
ø0.343N-M(3.5kgf-CM)  
TORQUE LIMIT: ø.392N-m(4.0kgf-cm)
- DIMENSIONS SHALL BE INTERPRETED PER MIL-STD-105E II**
- PRODUCT CODE:**



未標示公差尺寸值		TITLE:		DRAWN BY		DESIGNED BY		APPROVAL BY	
METRIC		HDMT板端SMT型有耳(膠柱:10.0)		聶玉忠					
.0±0.35		PRODUCT NO:		DRAW NO		COSJ-140			
.00±0.25		HF19R11-1321315							
.000±0.15		FILE NO:		UNIT					
		ZK-9-D-001		mm					
		SCALE							
		1:1 REV							
		A/0							