

SALES FORMAT

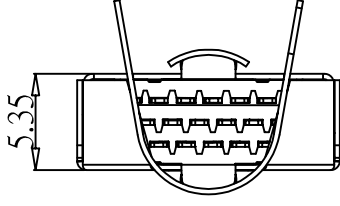
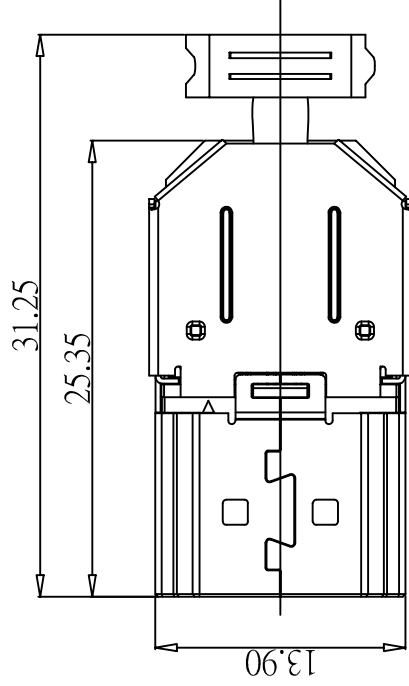
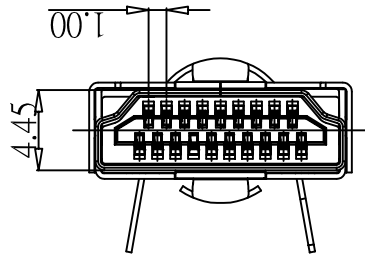
RoHS

REV  
A/0

DESCRIPTION  
新制定

MODIFICATION

DATE  
06.09.02



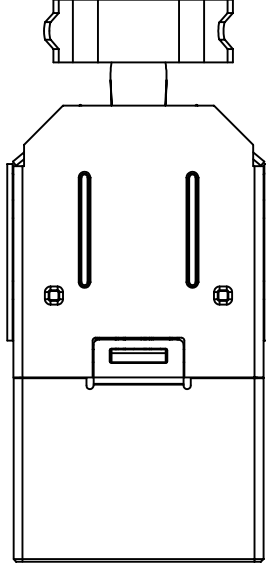
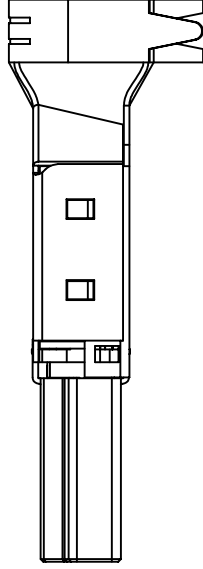
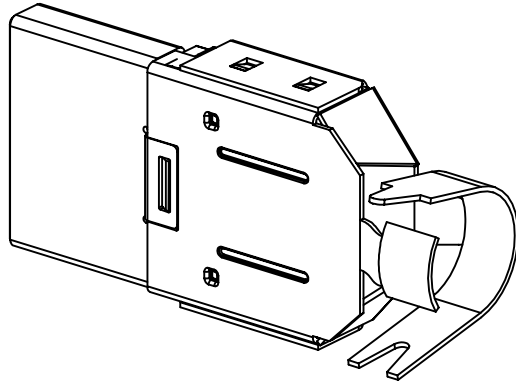
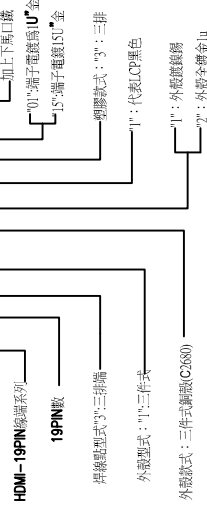
NOTE:

MATERIALS

1. HOUSING: THERMOPLASTIC HIGH TEMP, UL94V-0 COLOR: BLACK
2. TERMINAL: COPPER ALLOY, T=0.25MM GOLD ON CONTACT AREA, 120U" MIN TIN PLATING ON SOLDER TAILS. BOTH OVER 50U" MIN NICKEL ALL OVER.
3. SHELL: BRASS, NI AND SN PLATED OVERALL, T=0.3MM TIN PLATE : SPCC, NI AND SN PLATED OVERALL, T=0.3MM

SPECIFICATION

1. CURRENT RATING: 0.5 A MAX
2. DIELECTRIC WITHSTANDING VOLTAGE: 250V AC R.M.S.F.O.P ONE MINUTE.
3. INSULATION RESISTANCE: 1000M MIN AT 250V DC.
4. OPERATING TEMPERATURE: -40° TO +85°.
5. PRODUCT CODE: HM 19 3 1 - 12 1 1 3 15 - 1



未標示公差尺寸值

METRIC  
 .0=±0.35  
 .00=±0.25  
 .000=±0.15

TITLE:  
 PRODUCT NO:  
 FILE NO:  
 SCALE

HDMI 線端三件套  
 HM1931-1221315-1  
 ZK-3-D-001  
 1:1 REV A/0

DRAWN BY  
FAN SHA

CHECKED

APPROVED

DRAW NO  
COSJ-163

UNIT  
mm

