

REV.	ECN NO	LOCATIONS	DESCRIPTION	DATE	REVISER	APPD

Note:

1. Material:

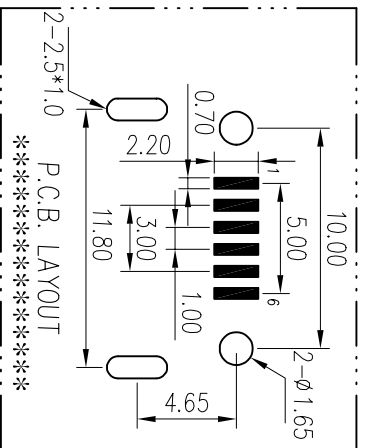
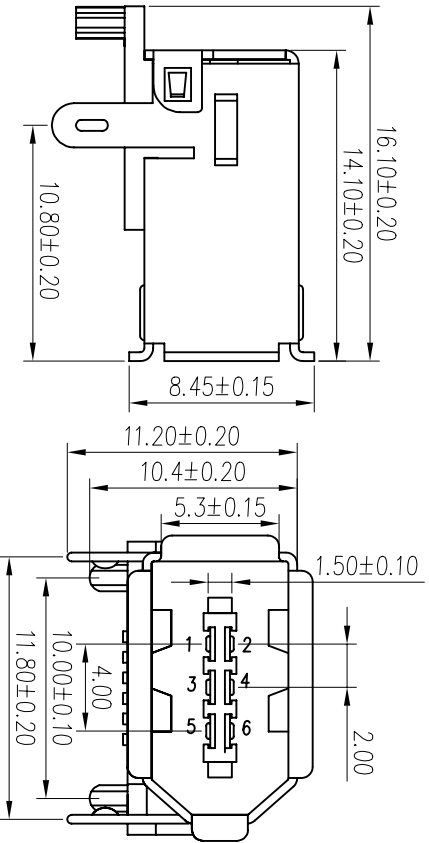
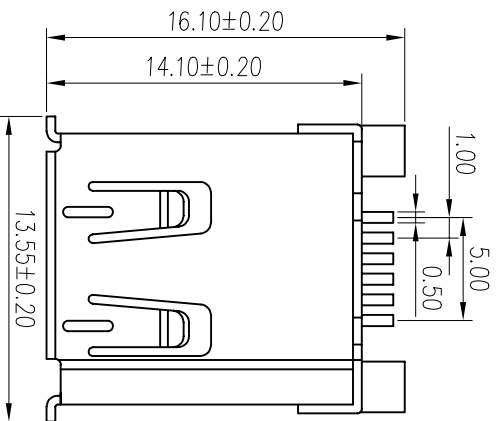
- 1.1 Insulator: PA6T UL 94-V0 rated.
- 1.2 Contact: Brass, t=0.25mm.
- 1.3 Shell: Brass, t=0.40mm.

2. Specification:

- 2.1 Current rating: 1 A Max.
- 2.2 Dielectric withstanding voltage: 500 V(ac) for 1 minute.
- 2.3 Contact resistance: 30 mΩ Max.
- 2.4 Insulation resistance: 1000 MΩ Min at DC 500V.
- 2.5 Total mating force: 4.5 Kgf Max.
- 2.6 Total unmating force: 1.5 Kgf Min.
- 2.7 Temperature range: -55°C~+105°C

3. Finishes:

- 3.1 Contacts: Gold flashed 1u", 3u", 5u", 10u", 15u", 30u".
- 3.2 Shell: Nickel Plated.



No.	Name	Q'ty	Material	Remarks & Thickness	Finish
3	Shell	1	Brass	T=0.40mm	Nickel Plated
2	Contact	6	Brass	T=0.25mm	Gold Flashed
1	Housing	1	PA6T	UL 94-V0	Black

PART NO:		MATERIAL:	
MODEL NO:		FINISH:	
UNIT: mm	SIZE: A4	COLOR:	
TOLERANCE UNSPECIFIED			
X	±0.3	DR: 段林耀 06/03/02	
.XX	±0.20	CHK: Song 06/03/02	
.XXX	±0.100	APP: Kent 06/03/02	
ANG:	±1°	DWG NO: S/A-348	
PART NAME: IEEE 1394-6PIN (F) S.M.T		SCALE: 4:1	SHEET: 1 of 1
REV: A0			