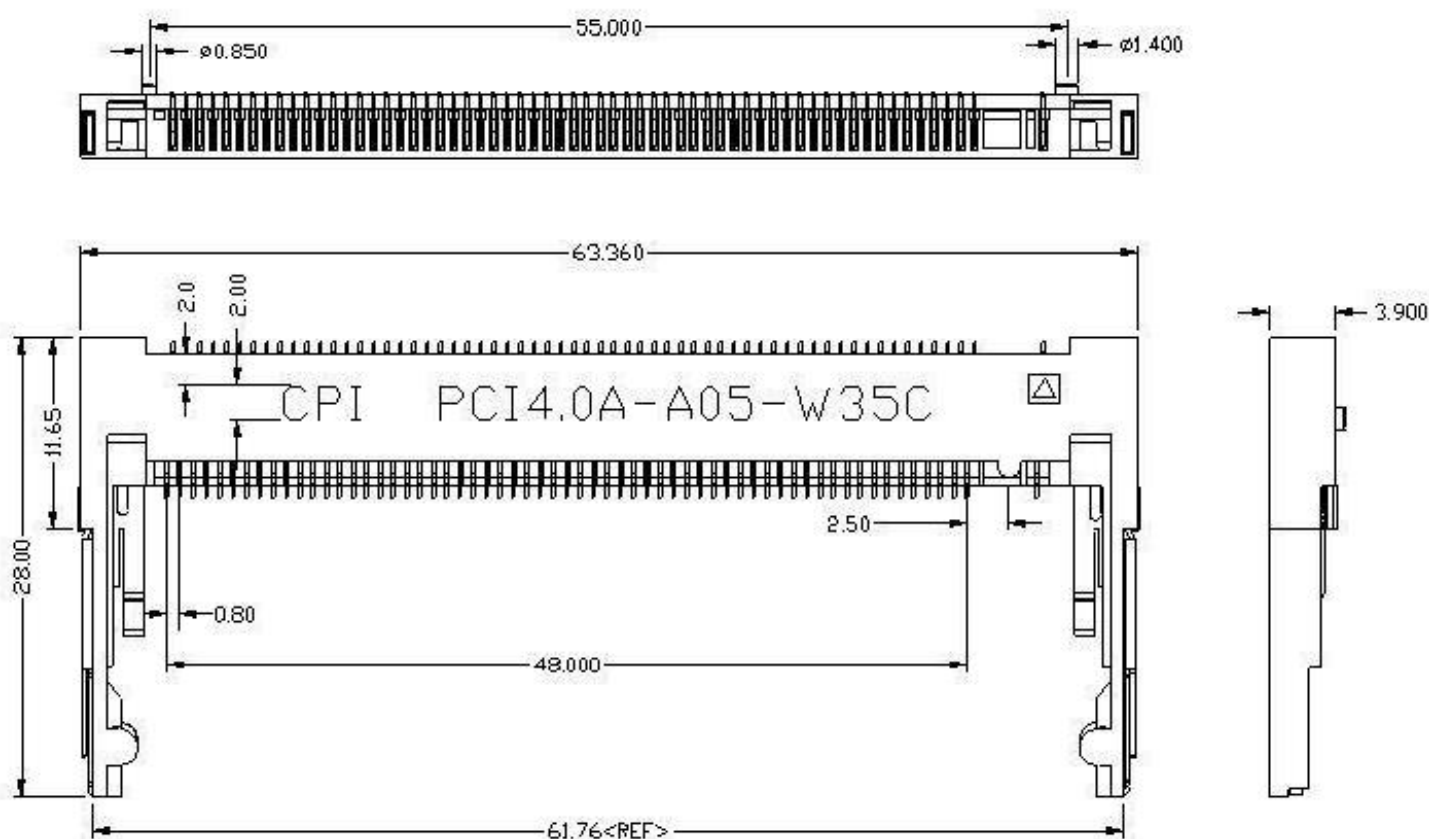


料號對照表(Cross reference)

成品料號 Product No.	顏色: COLOUR	電鍍規格 Plating Code
PCT4.0-A-A05-W35C	WHITE	Gold Plating Min 5u'
PCT4.0-A-A05-W35A	WHITE	Gold Plating Min 5u'
PCT4.0-A-A05-B35A	BLACK	Gold Plating Min 5u'



ORDERING INFORMATION :

PCI 4.0 A- A05 -W 35 C
(1) (2) (3) (4) (5) (6) (7)

1. PCI--Product Name;
2. 4.0--Plastic Thickness 4.0;
3. A--Distance 55mm, Length of Leg 28.0mm;
4. A--Tin Delectine Gold; B--Gold;
E--Tin/Cu Gold; D--Dark Tin Gold;
01--Flash; 05--5u"; 10--10u";
5. W--Colour White;
B--Colour Black;
6. 35--Manufacturer Place;
7. C--CPI Mark;
A--No Mark.

