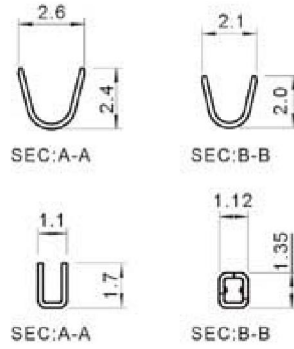
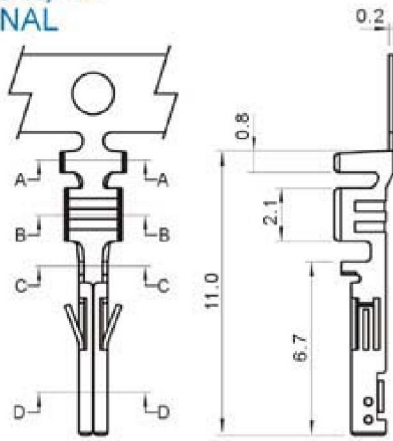
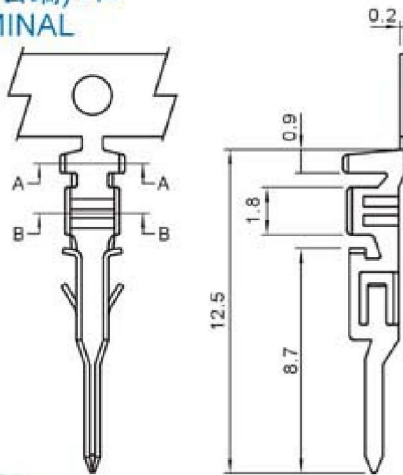


端子(母端)<T>
TERMINAL



端子(公端)<T>
TERMINAL



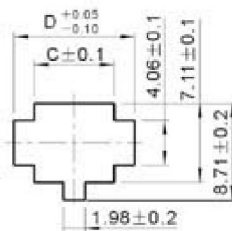
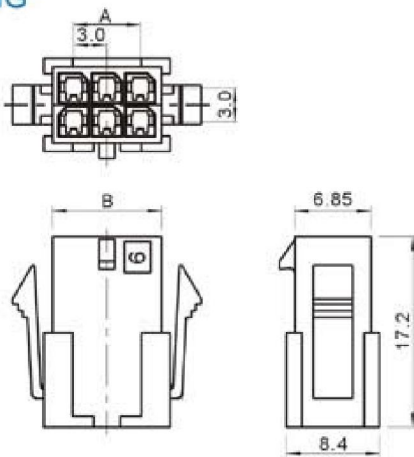
■ 技术参数 SPECIFICATIONS

- ◆ 间距: 3.0
Pitch: 3.0
- ◆ 线数: 2~12
Poles: 2~12
- ◆ 适用线规: AWG#20~#24
Applicable wire: AWG#20~#24
- ◆ 额定电压: 250V DC/AC(有效值)
Voltage rating: 250V DC/AC (rms)
- ◆ 额定电流: 5.0A
Current rating: 5.0A
- ◆ 耐压值: 1500V AC(有效值)
Withstand voltage: 1500V AC(rms)
- ◆ 工作温度: -40℃ ~ +105℃
Working Temperature: -40℃ ~ +105℃
- ◆ 绝缘电阻: $\geq 1000M\Omega$
Insulation resistance: $\geq 1000M\Omega$
- ◆ 接触电阻: $\leq 10m\Omega$
Contact resistance: $\leq 10m\Omega$

■ 材料 MATERIAL

- ◆ 外壳: 尼龙66 UL94V-0
Housing: Nylon66 UL94V-0
- ◆ 端子: 磷青铜 镀锡
Terminal: Phosphor bronze Tin-plated

外壳 <Y>
HOUSING



Panel hole dimensions

线数 Poles	尺寸 Dimensions(mm)			
	A	B	C	D
2×1	N/A	3.85	4.21	7.90
2×2	3.0	6.85	7.21	10.90
2×3	6.0	9.85	10.21	13.89
2×4	9.0	12.85	13.21	16.89
2×5	12.0	15.85	16.21	19.89
2×6	15.0	18.85	19.21	22.89
2×7	18.0	21.85	22.20	25.88
2×8	21.0	24.85	25.210	28.88
2×9	24.0	27.85	28.20	31.88
2×10	27.0	30.85	31.22	34.87
2×11	30.0	33.85	34.22	37.87
2×12	33.0	36.85	37.22	40.87

外壳 <Y>
HOUSING

