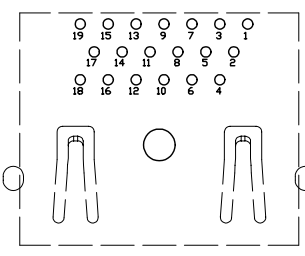
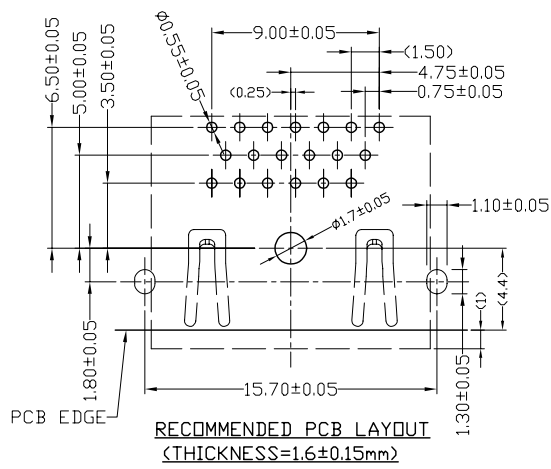
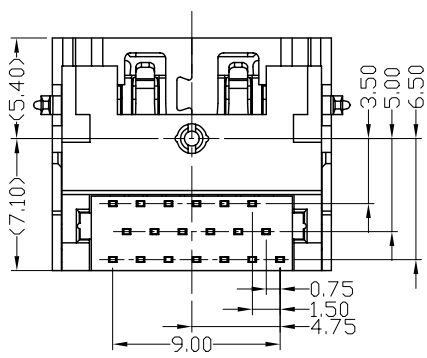
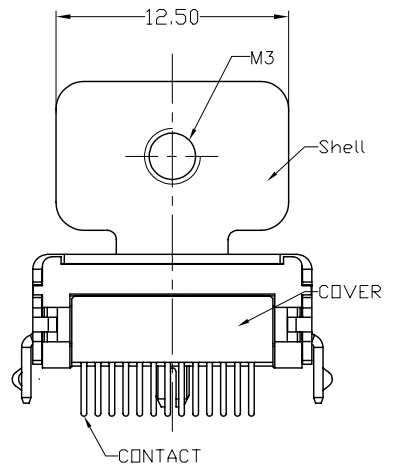
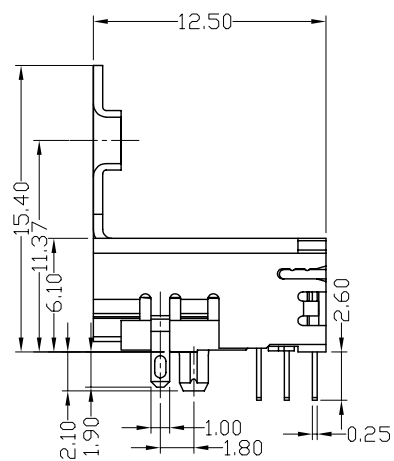
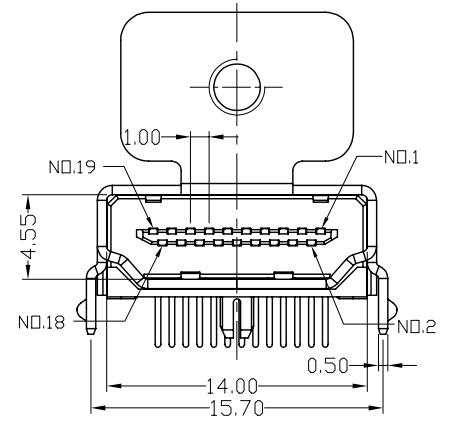
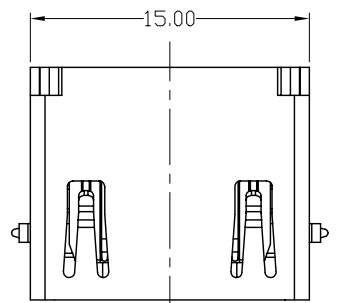


| | | |
|------|----------|------|
| REV. | ECN.NO. | DATE |
| A | RELEASED | |



NOTES:

***Material**

Body: LCP, UL 94V-0 Rated; Color: Black.
 Shield: Phosphor Bronze.
 Plating: Nickel Plating .
 Contact: Phosphor Bronze.
 Plating: Gold Plating Over Nickel on Contact Area;
 Tin Plating On Solder Tail.

***Electrical Specification**

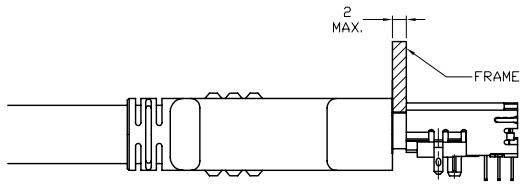
Operation Voltage: 40 VAC max.
 Current Rating: 0.5 Ampere per contact
 Contact Resistance: 30 Milliohms max.
 Insulation Resistance: 100 Megohms min.
 Dielectric Withstanding Voltage: 500 VAC

***Environmental**

Operating Temperature: -55°C to +85°C

***How To Order**

Series NO. WHDM 19 D 6 L 1 P W 3 U 4
 Number of Contacts
 Gold A:Flash B:5u"
 C:10u" D:15u" F:30u"
 L: LCP
 1:Black
 L:W:Winning Mark
 Blank:No Mark
 4:Ni 5:Pure Dim Tin
 U:Lead Free
 3:Tray 5:Reel
 W:WITH Flange(12.5)
 P:Phosphor Bronze



| | | | | | | | | | |
|-----|------------------|--|---------------------|-------|-----|-------------|------|------------------------|---------------------------------|
| REV | Units | | mm | Scale | 1:1 | Drawing By | Data | | |
| | Tolerance Unless | | Otherwise Specified | | | Reviewed By | Data | Date | |
| | .X | | ~ ±0.38 | | | Approval By | Data | Sheet | 1 of 1 |
| | .XX | | ~ ±0.25 | | | | | Third Angle Projection | |
| | .XXX | | ~ ±0.20 | | | | | Title | High Definition Media Interface |
| | Angle | | ~ ± 3° | | | | | Drawing No. | |
| | | | | | | | | REV | A |

