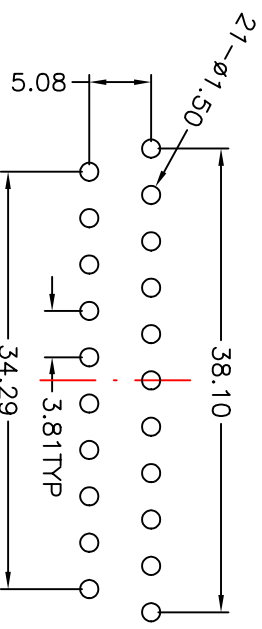
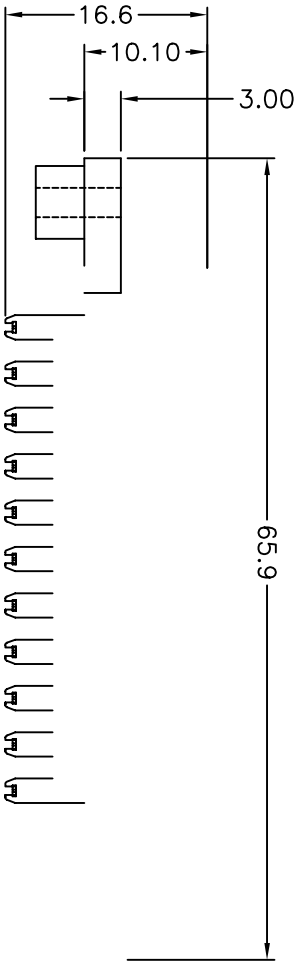
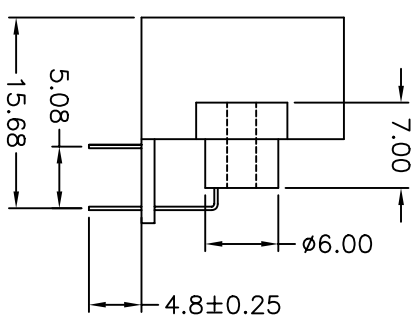
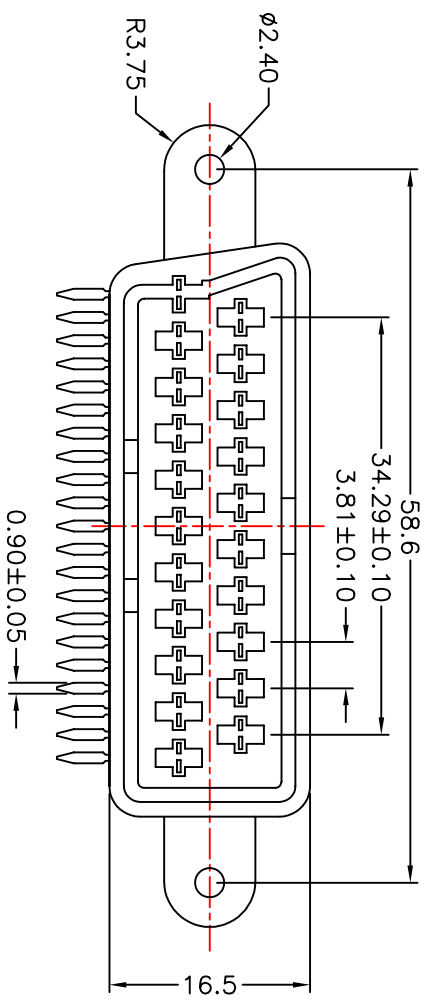


REV.	NOTES	DATE
A	RELEASED	2006/12/08



- NOTES:
- MATERIALS
    - Insulator: Pc DR PBT UL94V-0
    - Contact: Brass
    - Contact Plating: Tin Plated
  - SPECIFICATIONS
    - Current Rating: 3.0 Amp
    - Contact Resistance: 25mΩ Max
    - Dielectric Strength: 1000V AC for one minute
    - Insulator Resistance: 1000MΩ Min. (at 500V DC)
    - Operation Temperature: -55°C TO +105°C

DIMENSIONS TOLERANCE		METRIC	
0 = ±.3		0 = ±.3	
.00 = ±.20		.00 = ±.20	
.0000 = ±.XXX		.0000 = ±.XXX	
ANG. = ±2°		ANG. = ±2°	
單位 (UNITS)	mm	料號 (PART NUMBER)	ASC+0330-40CB3
數量 (QTY)	N/A	圖號 (DRAW NUMBER)	RASC033040CB3
材料 (MTR'L)	SEE NOTE	圖檔 (FILE NAME .DWG)	E:GCT/A/SC/03
處理 (FINISH)	SEE NOTE	圖名 (NAME)	90度母座圓耳無紅錫B型 PC 無毒
繪圖 (DRAW)		比例 (SCALE)	1/1
設計 (DE'N)		圖紙 (SHEET)	A4
審核 (CHK'K)		頁次 (SHEET)	1
核准 (APP' D)		版本 (REV.)	A

PCB LAYOUT