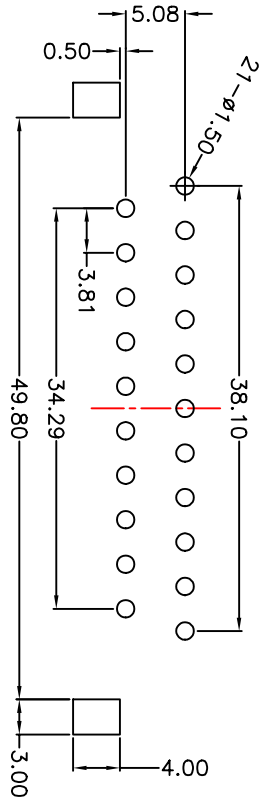
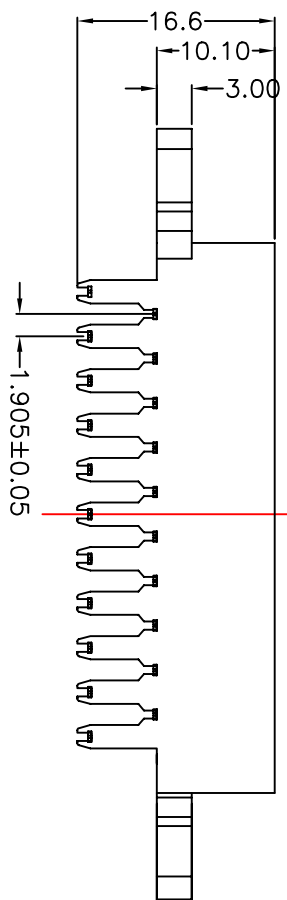
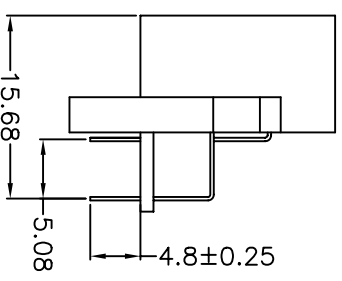
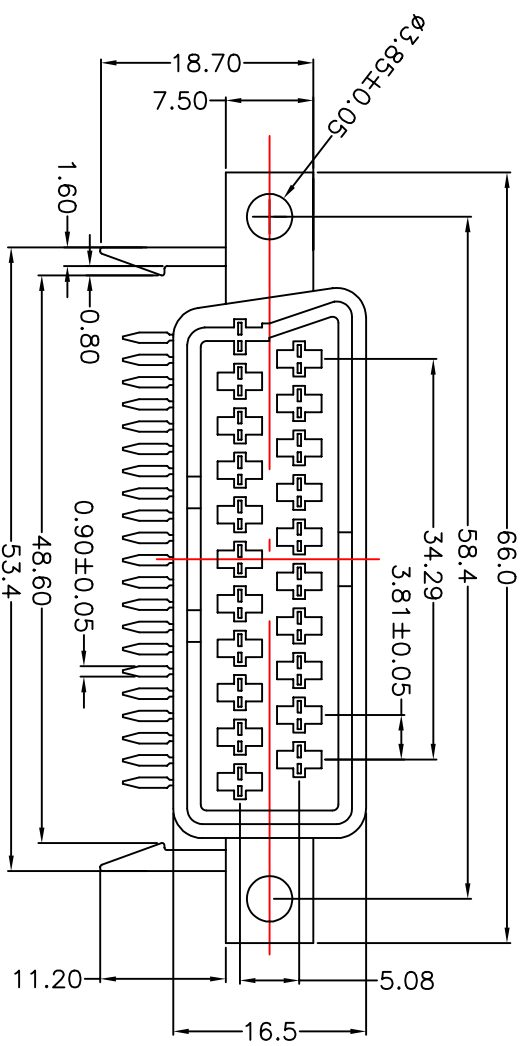


REV.	NOTES	DATE
A	ASC+0320-40C代替料號AGS-8015-41; ASC+0320-10C代替料號AGS-8015-41A	2006/11/20
B	增加端子阻抗	2006/12/08
C	PCB孔用ØC1.5代替Ø1.1	2006/12/08



PCB LAYOUT

DIMENSIONS TOLERANCE

METRIC

0 = ±.3  
.00 = ±.20  
.0000 = ±.000  
ANG. = ±2°

Plat No.	Contact Plating
ASC+0320-40C	Tin Plated
ASC+0320-10C	Gold Plated

- NOTES:
- 1.MATERIALS
- 1.1 Insulator: PC
  - 1.2 Contact: Brass
  - 1.3 Contact Plating: Tin Plated
- 2.SPECIFICATIONS
- 2.1 Current Rating: 3.0 Amp
  - 2.2 Dielectric Strength: 1000V AC For One Minute
  - 2.3 Insulator Resistance: 1000MΩ Min.(at 500V DC)
  - 2.4 Contact Resistance:25mΩ Max
  - 2.5 Operation Temperature: -55°C +105°C

單位 (UNITS)	mm
數量 (QTY)	N/A
材料 (MTR'L)	SEE NOTE
處理 (FINISH)	SEE NOTE
繪圖 (DRAW)	圖名 (NAME) 90度母座方耳錫 PC
設計 (DE'N)	料號 (PART NUMBER) ASC+0320-40C
審核 (CHK'K)	圖號 (DRAW NUMBER) RASC032040C
核准 (APP' D)	圖檔 (FILE NAME .DWG) E:GCT/A/SC/03
	比例 (SCALE) 1/1
	圖紙 (SHEET) A4
	頁次 (SHEET) 1
	版本 (REV.) C