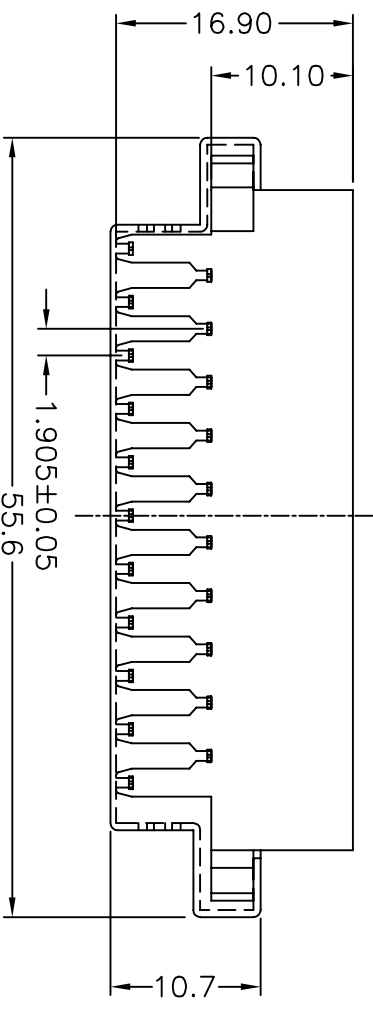
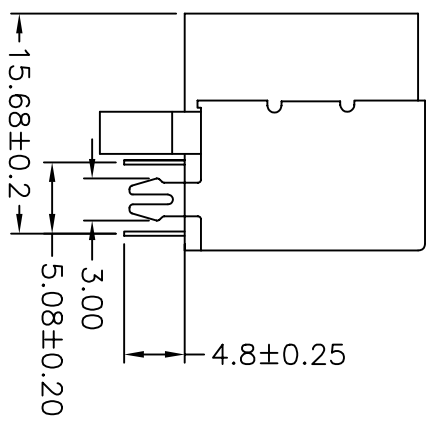
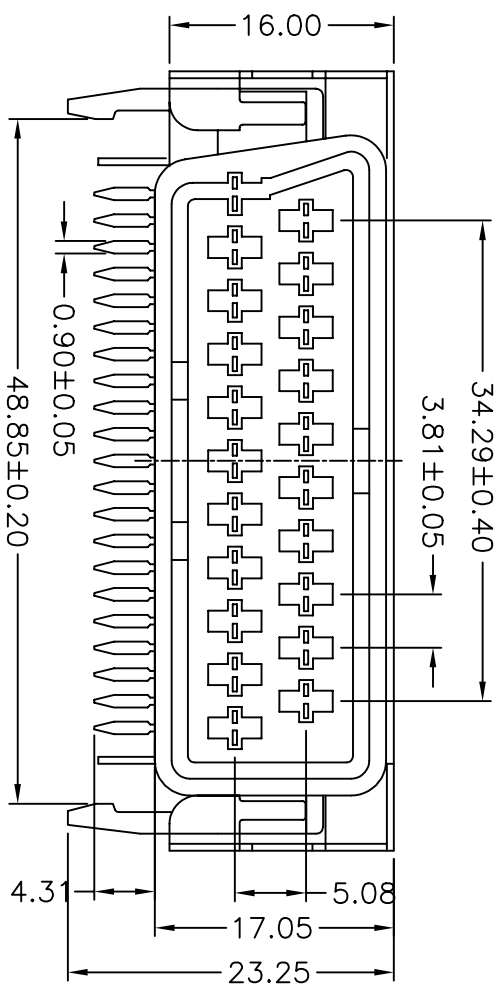
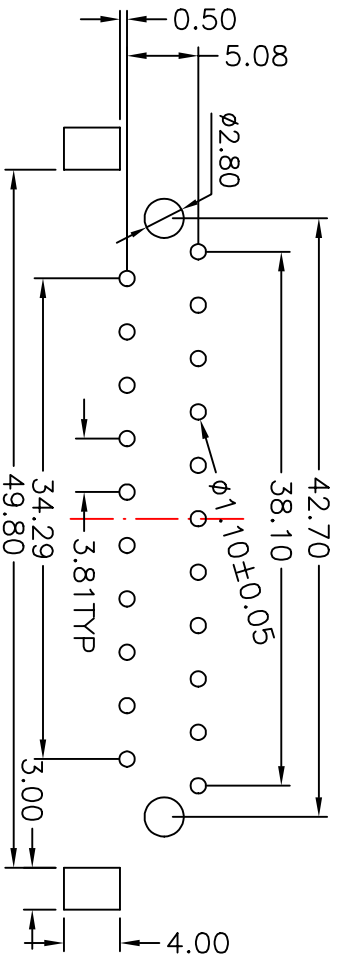


REV.	NOTES	DATE
A	RELEASED	2004/05/07
B	變更圖面與實物相符	2005/09/13



- NOTES:
- MATERIALS
 - Insulator: Pc
 - Contact: Brass
 - Contact Plating: Tin Plated
 - SPECIFICATIONS
 - Current Rating: 5Amp
 - Dielectric Strength: 1000V AC for one minute
 - Insulator Resistance: 5000MΩ Min. (at 500V DC)
 - Operation Temperature: -55° C to +105° C



PCB LAYOUT

DIMENSIONS TOLERANCE		圖名 (NAME)	
METRIC		90度母座有柱無孔錫PC加鐵殼	
0 = ± 3		料號 (PART NUMBER)	ASC+0380-40C2
.00 = ± .20		圖號 (DRAW NUMBER)	RASC038040C2
.0000 = ± .XXX		圖檔 (FILE NAME .DWG)	E:GCT/A/SC/03
ANG = ± 2°		圖名 (NAME)	
單位 (UNITS)	mm	繪圖 (DRAW)	
數量 (QTY)	N/A	設計 (DE' N)	
材料 (M'T'L)	SEE NOTE	審核 (CH'K)	
處理 (FINISH)	SEE NOTE	核准 (APP' D)	
比例 (SCALE)	1/1	圖紙 (SHEET)	A4
圖紙 (SHEET)	1	頁次 (SHEET)	1
版本 (REV.)	B	版次 (REV.)	B