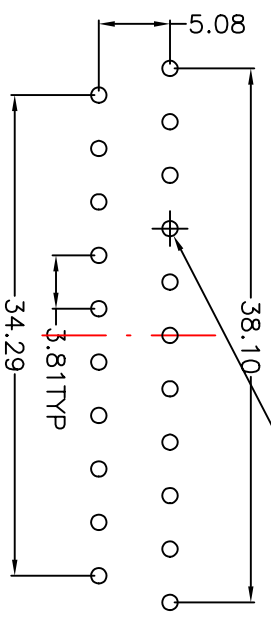
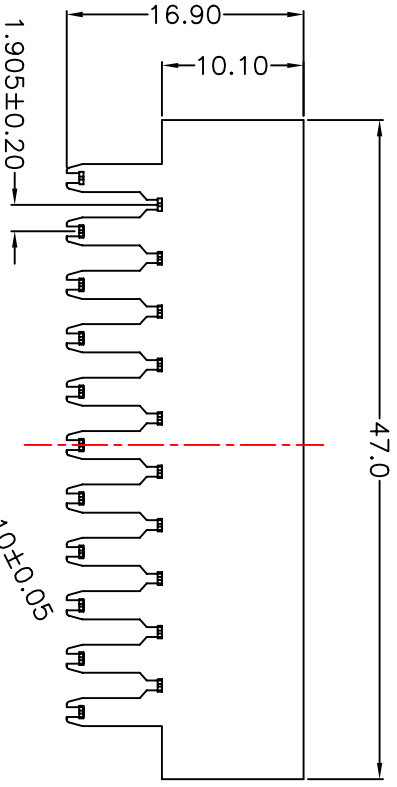
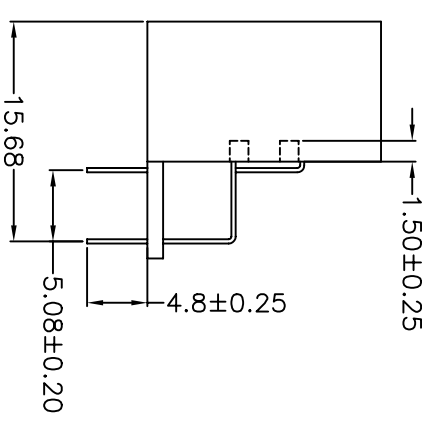
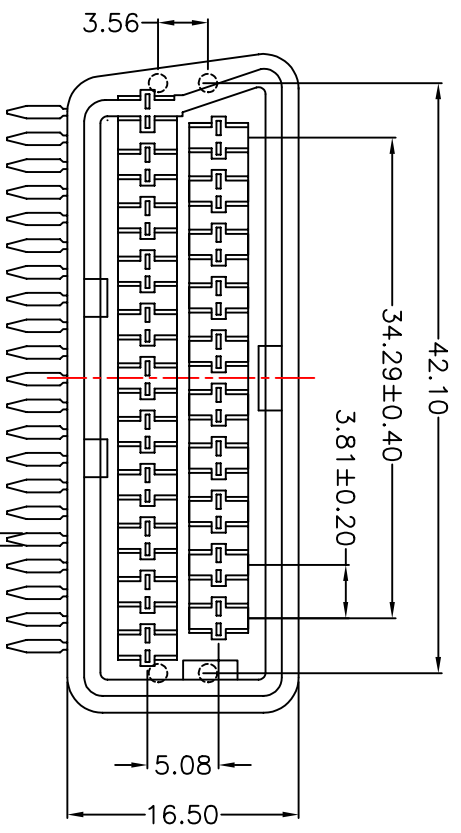


| REV. | NOTES | DATE |
|------|----------|------------|
| A | RELEASED | 2003/11/26 |
| B | 增加LAYOUT | 2004/2/19 |



PCB LAYOUT

- NOTES:
- MATERIALS
 - Insulator: Pc
 - Contact: Brass
 - Contact Plating: Tin Plated
 - SPECIFICATIONS
 - Current Rating: 5Amp
 - Dielectric Strength: 1000V AC for one minute
 - Insulator Resistance: 5000M Ohms Min. (at 500V DC)
 - Operation Temperature: -55 °C to +105 °C

| DIMENSIONS TOLERANCE | | METRIC | |
|----------------------|--|---------------|--|
| 0 = ±.3 | | 0 = ±.3 | |
| .00 = ±.20 | | .00 = ±.20 | |
| .0000 = ±.XXX | | .0000 = ±.XXX | |
| ANG. = ±2° | | ANG. = ±2° | |

| 單位 (UNITS) | mm |
|-------------|----------|
| 數量 (QTY) | N/A |
| 材料 (MTR'L) | SEE NOTE |
| 處理 (FINISH) | SEE NOTE |

| 繪圖 (DRAW) | | 圖名 (NAME) | |
|------------|--|---------------------|----------------|
| 設計 (DE'N) | | 90度母座無耳無柱(黑色)JD | |
| 審核 (CHK) | | 料號 (PART NUMBER) | ASCP 0390-40C1 |
| 核准 (APP'D) | | 圖號 (DRAW NUMBER) | RASC039040C1 |
| | | 圖檔 (FILE NAME .DWG) | D:\ZSBCPT |
| | | 比例 (SCALE) | 1/1 |
| | | 圖紙 (SHEET) | A4 |
| | | 頁次 (SHEET) | 1 |
| | | 版本 (REV.) | B |