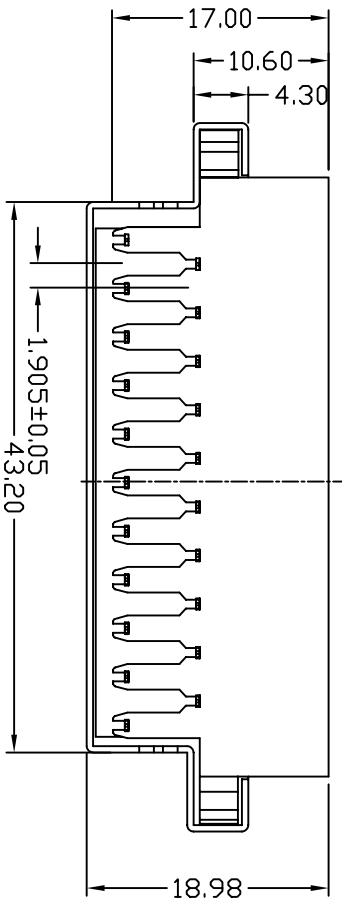
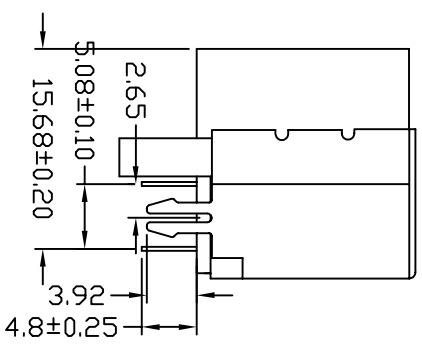
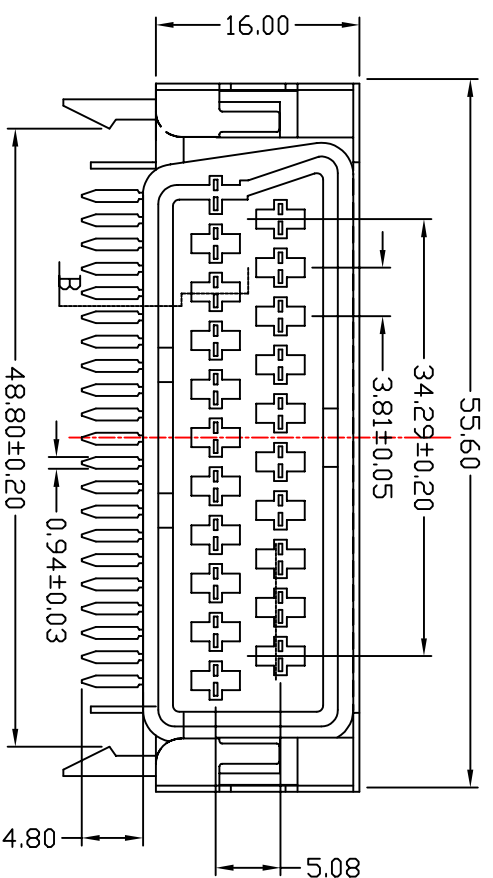
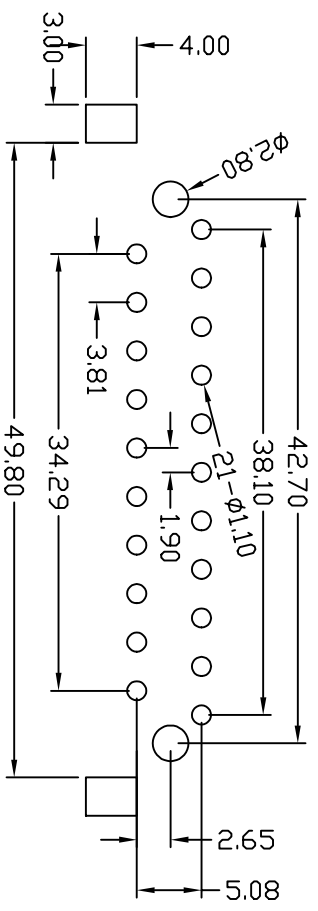


REV.	NOTES	DATE
A	RELEASED	2006/05/15



RECOMMEND P.C. BOARD LAYOUT



- NOTES:
- 1.MATERIALS
 - 1.1 Insulator: PA6T
 - 1.2 Contact: Brass
 - 1.3 Contact Plating: Tin Plated
 - 2.SPECIFICATIONS
 - 2.1 Current Rating: 5Amp
 - 2.2 Dielectric Strength: 1000V AC for one minute
 - 2.3 Insulator Resistance: 1000MV Min.(at 500V DC)
 - 2.4 Operation Temperature: -55° C to+105° C

DIMENSIONS TOLERANCE		METRIC	
0 = ±.3		.00 = ±.20	
.000 = ±.XXX		.0000 = ±.	
ANG = ± 2°			
單位 (UNITS)	mm	圖名 (NAME)	90度母座有柱有孔正向(有上蓋)加鐵殼
數量 (QTY)	N/A	料號 (PART NUMBER)	ASC-0350-70LN
材料 (M'T'L)	SEE NOTE	圖號 (DRAW NUMBER)	RASC0350400C14
處理 (FINISH)	SEE NOTE	圖檔 (FILE NAME .DWG)	EGCT/A/SC/03
繪圖 (DRAW)		比例 (SCALE)	1/1
設計 (DE'N)		圖紙 (S/D)	A4
審核 (CHK)		頁次 (SHEET)	1
核准 (APP'D)		版本 (REV.)	A