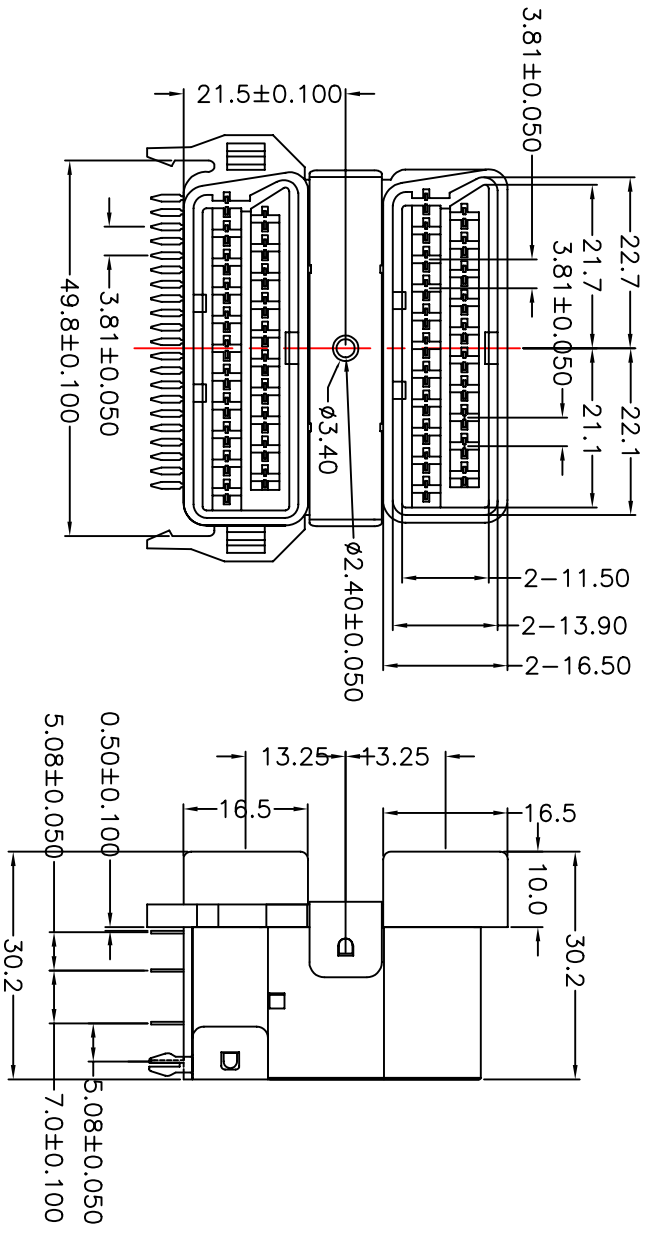
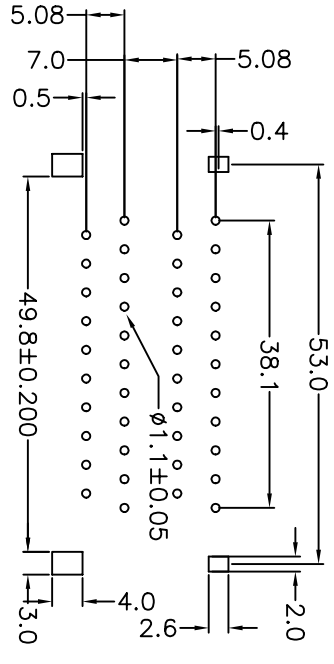


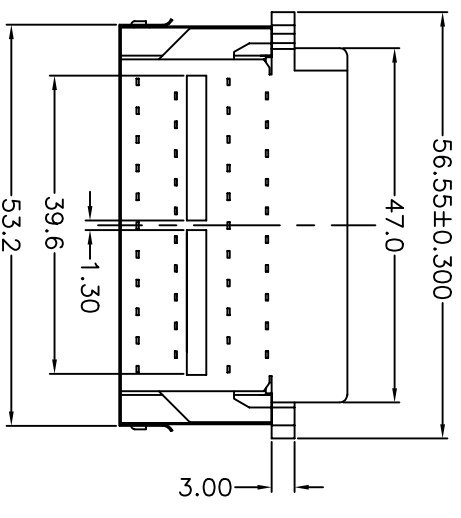
REV.	NOTES	DATE
A	RELEASED	2006/05/10



PCB LAYOUT



- NOTES:
1. MATERIAL
 - 1.1 Insulator: PC Or ABS
 - 1.2 Contact: Brass
 - 1.3 Contact Plated: Tin Plated
 2. SPECIFICATION
 - 2.1 Current Rate: 1 Amps
 - 2.2 Insulator Resistance: 50000M Ohms Min. at 500V DC
 - 2.3 Dielectric Strength: 1000V Per minute
 - 2.4 Operation Temperature: -55C to +105C



DIMENSIONS TOLERANCE		METRIC	
0 = ±.30		0 = ±.30	
.00 = ±.20		.00 = ±.20	
.0000 = ±.XXX		.0000 = ±.XXX	
ANG. = ±2°		ANG. = ±2°	

單位(UNIT)	mm	圖名(NAME)	90度雙層母座C型連體式 PC 無毒
數量(QTY)		料號(PART NUMBER)	ASC+050L-4CC
材料(MTL)		圖號(DRAW NUMBER)	RASC050L4CC
處理(FINISH)	SEE NOTE	圖檔(FILE NAME .DWG)	D:\ZSB\CPT
繪圖(DRAW)		比例(SCALE)	1/1
設計(DE'N)		圖紙(SZ)	A4
審核(CH'K)		頁次(SHEET)	1
核准(APP'D)		版次(REV.)	B