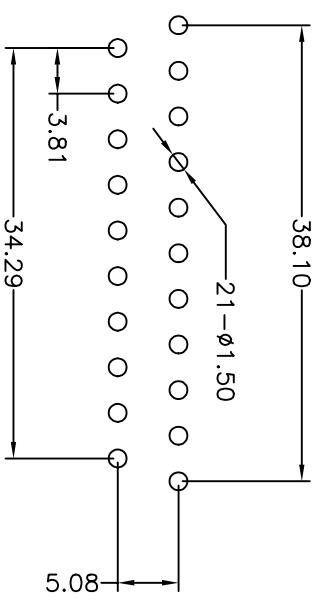
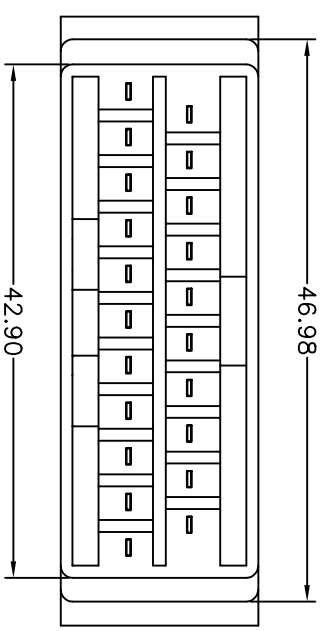
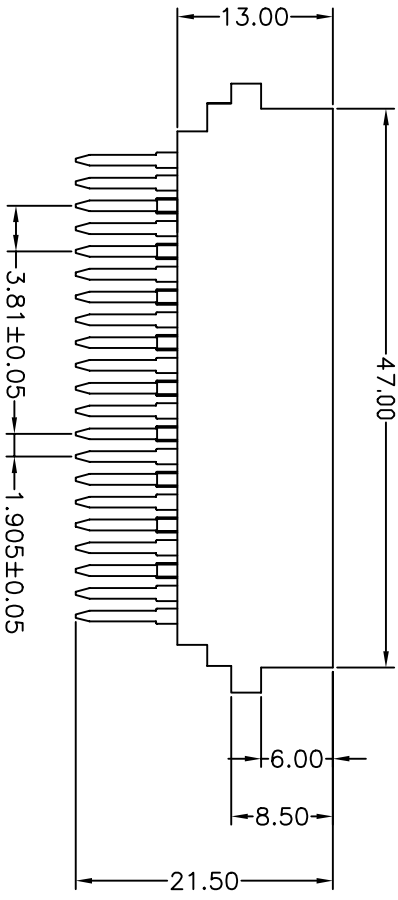
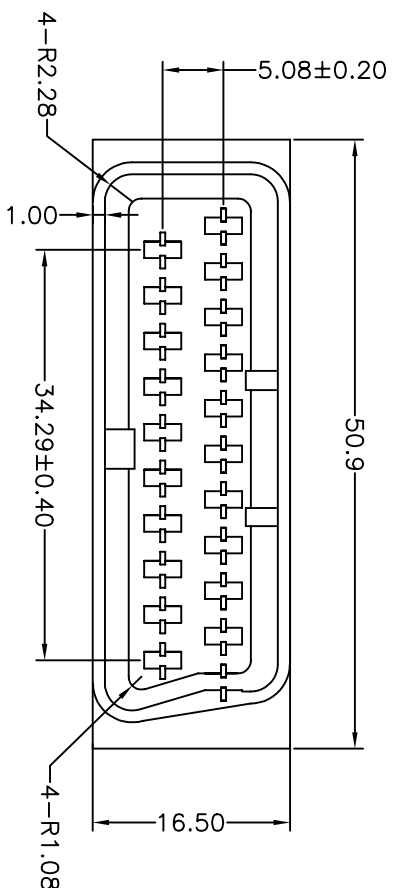


REV.	NOTES	DATE
A	RELEASED	2004/08/17
B	修改圖面	2004/08/14



RECOMMEND P.C BOARD LAYOUT

- NOTES:
- MATERIALS
    - Insulator:PC
    - Contact:Brass, 0.3T
  - SPECIFICATIONS
    - Current Rating: 3Amp
    - Dielectric Strength:1000V AC for one minute
    - Insulator Resistance:5000 M ohms Min
    - Contact Resistance:30m ohms Max
    - Operation temperature:-55°C to +105°C
    - INSERTION FORCE:<5Kg
    - EXTRACTION FORCE:>1.5kg

單位 (UNITS)	mm	圖名 (NAME)			
數量 (QTY)	N/A	180度母座錫 無耳 塞孔			
材料 (MTR'L)	SEE NOTE	料號 (PART NUMBER)	ASC+0840-40C1		
處理 (FINISH)	SEE NOTE	圖號 (DRAW NUMBER)	RASC084040C1		
繪圖 (DRAW)		圖檔 (FILE NAME .DWG)	E:QCT/A/SC/08		
設計 (DE'N)		比例 (SCALE)	1/1	圖紙 (SHEET)	A4
審核 (CHK)		頁次 (SHEET)	1	版本 (REV.)	B
核准 (APP'D)					

DIMENSIONS TOLERANCE

METRIC

0 = ±.3

.00 = ±.20

.000 = ±.XXX

.0000 = ±

ANG. = ±2'

