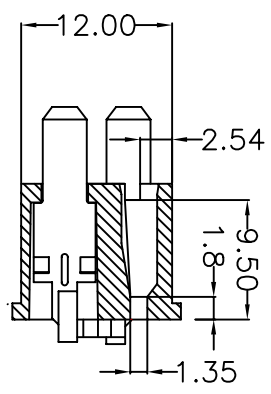
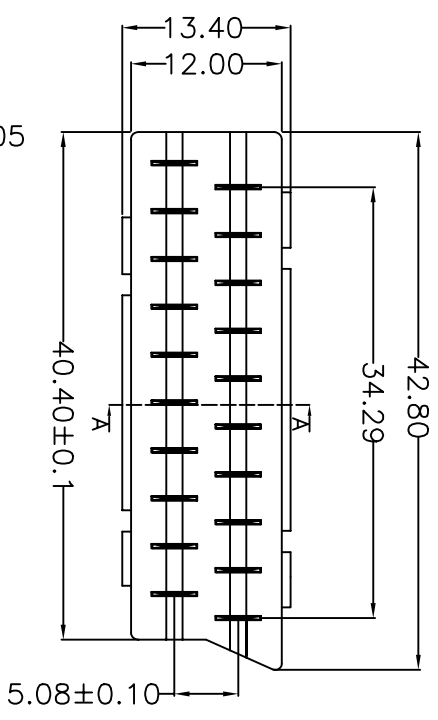
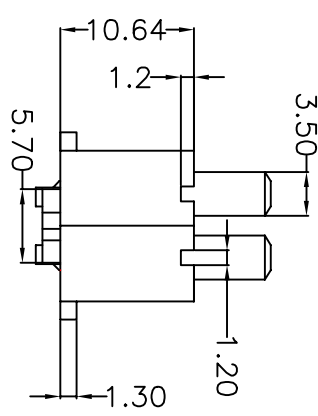
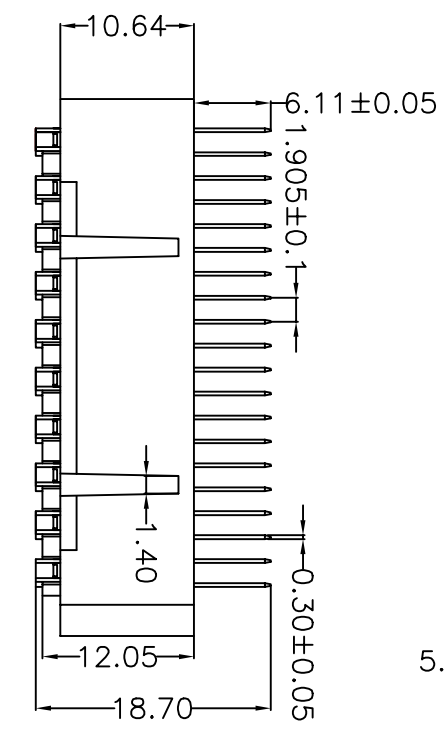


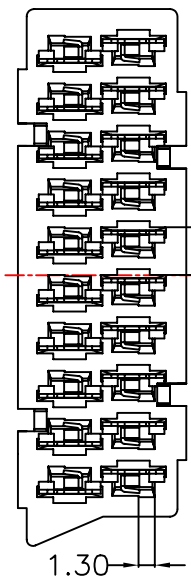
REV.	NOTES	DATE
A	RELEASED	2006/06/27



SEC A-A



- NOTES:
- MATERIALS
 - 1.1 INSULATOR: P.B.T 30% GLASS FIBER UL-94V-0
 - 1.2 CONTACT: BRASS 0.3T
 - SPECIFICATIONS
 - 2.1 CURRENT RATING: 3.0AMP
 - 2.2 DIELECTRIC STRENGTH: 1000V AC FOR ONE MINUTE
 - 2.3 INSULATOR RESISTANCE: 1000M OHMS MIN
 - 2.4 CONTACT RESISTANCE: 30M OHMS MAX
 - 2.5 OPERATION TEMPERATURE: -55 C TO +105 C



DIMENSIONS TOLERANCE		單位 (UNITS)		圖名 (NAME)	
METRIC		數量 (QTY)	mm	成型滿PIN 無鐵殼 無毒	
0 = ±.20	設計 (DE'N)	N/A		料號 (PART NUMBER)	ASC+0200-40BT
.00 = ±.15	審核 (CHK)	SEE NOTE		圖號 (DRAW NUMBER)	RASC020040BT
.0000 = ±.XXX	核准 (APP'D)	SEE NOTE		圖檔 (FILE NAME .DWG)	E:\CCT/P/SC/3/300
ANG = ±2°				比例 (SCALE)	1/1
				圖紙 (SHEET)	A4
				頁次 (SHEET)	1
				版本 (REV.)	A