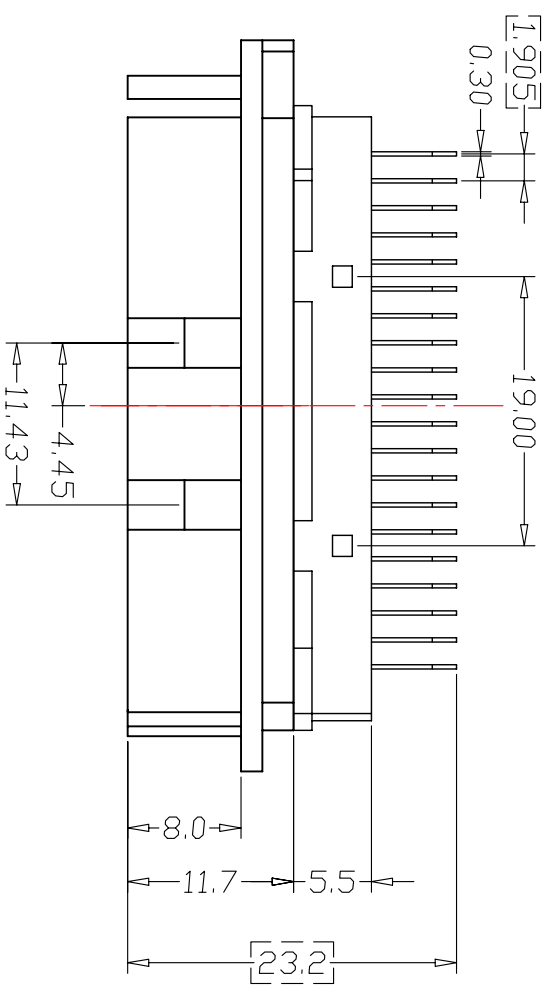
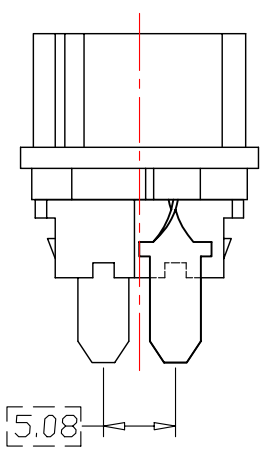
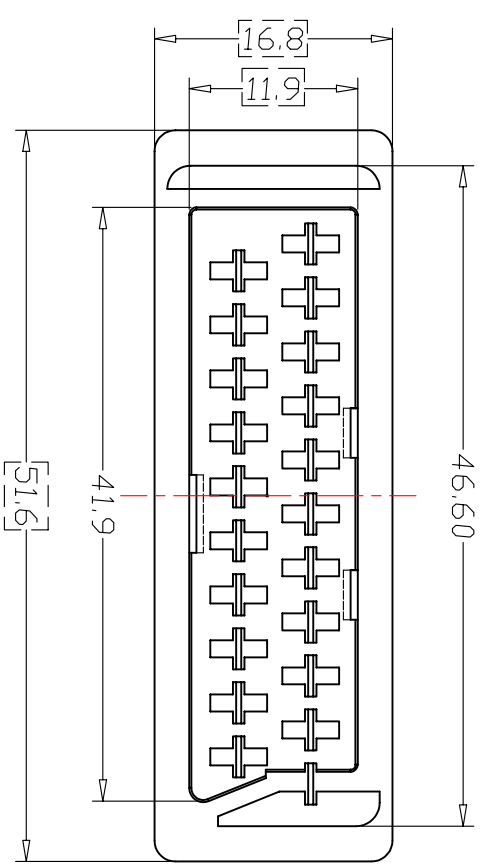


REV.	NOTES	DATE
A	RELEASED	2007/03/13



- NOTES:
- 1.MATERIALS
- 1.1 Insulator: ABS ,Black
 - 1.2 Contact: Phosphor Bronze
 - 1.3 Contact Plating: Tin Plated
- 2.SPECIFICATIONS
- 2.1 Current Rating: 5Amp
 - 2.2 Dielectric Strength:1000V AC for one minute
 - 2.3 Insulator Resistance:5000M Ohms Min.(at 500V DC)
 - 2.4 Operation Temperature:-55°C +105°C
- 3.MEASURE
- 3.1 重點尺寸標注: X



單位(UNITS)	mm	圖名 SCART 180° 轉接頭
數量(QTY)	N/A	
材料(MTL)	SEE NOTE	
處理(FINISH)	SEE NOTE	
繪圖(DRAW)		
設計(DE'N)		
審核(CHECK)		
核准(APP'D)		

DIMENSIONS TOLERANCE			
METRIC			
.0	±0.30	料號(PART NUMBER)	ASC+0904-70B
.00	±0.20	圖號(DRAW NUMBER)	RASC090470B
.000	±0.15	圖紙(FILE NAME .DWG)	G\SCART
.0000	±0.10	比例(SCALED)	1/1
ANG	±2°	圖紙(SIZE)	A4
		頁次(SHEET)	1
		版次(REV)	A