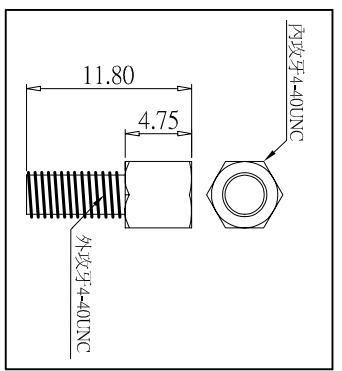
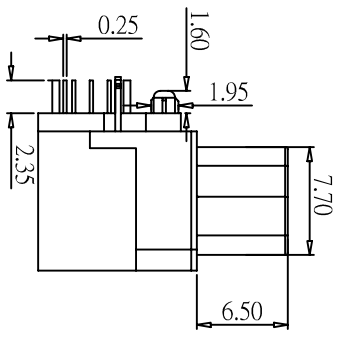
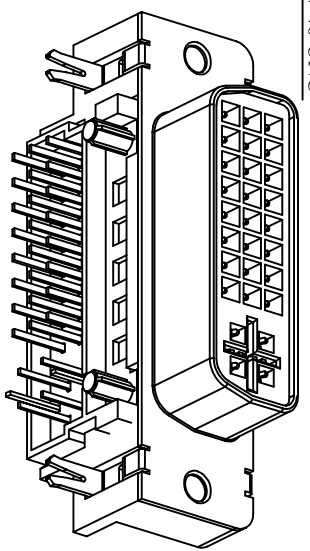
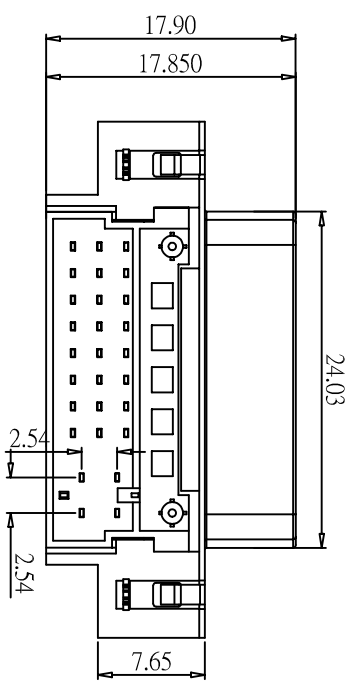
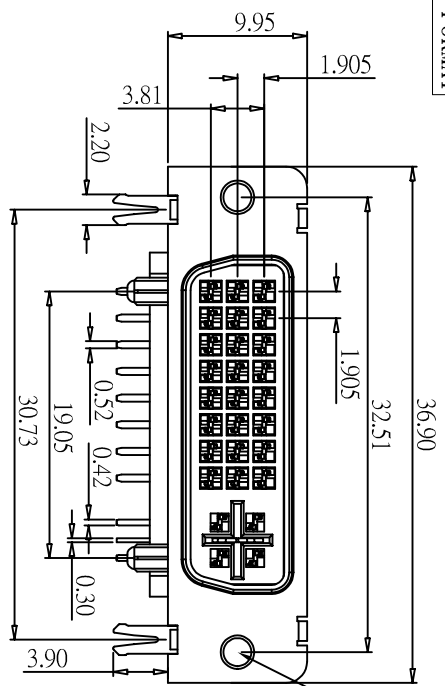


SALFS FORMAT



ROHS

REV	DESCRIPTION	MODIFICATION	DATE
A/0	新制定		05.08.24
A/1	變更一	料號編碼變更	06.05.12

***MATERIAL**
 BODY : PBT30% UL 94V-0 RATED, COLOR: WHITE
 LATCH : PA66+30% G.F 94V-0 RATED, COLOR: WHITE
 CONTACTS : BRASS
 CONTACT PLATING : GOLD PLATING OVER NICKEL ON CONTACT AREA TIN PLATING ON TERMINAL

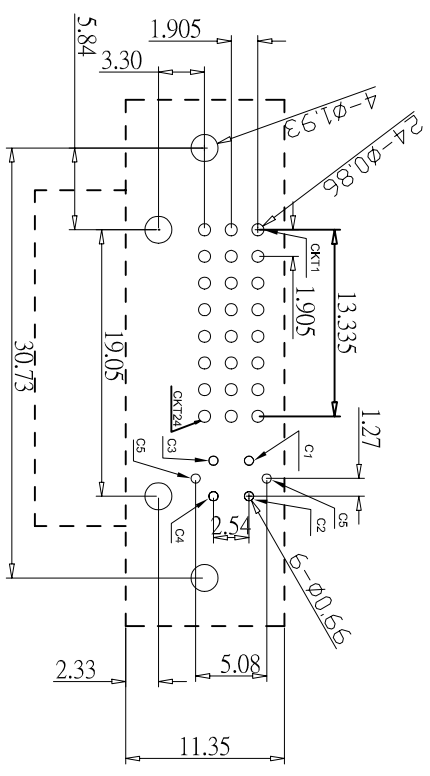
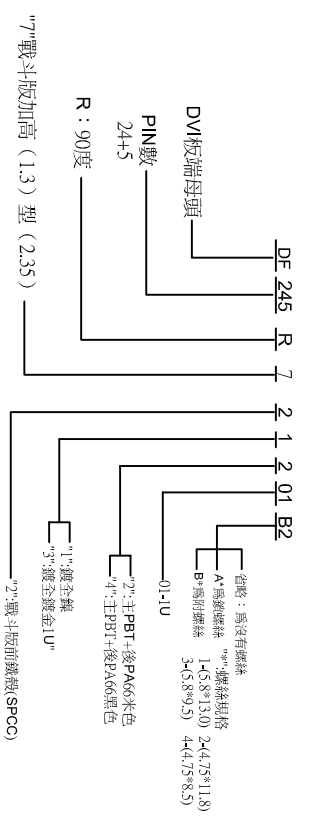
***MECHANICAL**
 MATING FORCE : 4.5 KG MAX. @ 25 MM/MINUTE
 UNMATING FORCE: 1.0 KG MIN. AND 4.0 KG MAX. @ 25 MM/MINUTE
 DURABILITY: 100 MATING CYCLES

***ELECTRICAL SPECIFICATION**
 INSULATION RESISTANCE : 1000 MEGOHMS MIN
 DIELECTRIC WITHSTANDING VOLTAGE : 500 V DC RMS ± 50 V 60 HZ
 CURRENT RATING: 1.5 AMPERES MIN
 SHELL RESISTANCE: 50 MILLOHMS MAX. INITIAL; 50 MILLOHMS MAX. CHANGE FROM INITIAL
 CONTACT RESISTANCE : 20 MILLOHMS MAX.

***ENVIRONMENTAL**
 OPERATING TEMPERATURE : -20° TO 85°

***HOW TO ORDER**

PART NUMBER :



P.C.B LAYOUT

未標示公差尺寸值		TITLE:		DRAWN BY	
METRIC		DVI(24+5)7F90度附4.75*11.80		聶玉忠	
.0=±0.35		PRODUCT NO:		DESIGNED BY	
.00=±0.25		DF245R7-21201B2		APPROVAL BY	
.000=±0.15		FILE NO:		DRAW NO	
		ZK-3-D-001		COSI-416	
		SCALE		UNIT	
		1:1		mm	
		REV		mm	
		A/1		mm	