

RoHS

REV	DESCRIPTION	MODIFICATION	DATE
A/0	新制定		06/09/02

***MATERIAL**
 BODY : PBT30% UL 94V-0 RATED, COLOR: WHITE
 LATCH : PA66+30% UL 94V-0 RATED, COLOR: WHITE
 CONTACTS : BRASS
 CONTACT PLATING : GOLD PLATING OVER NICKEL ON CONTACT
 AREA TIN PLATING ON TERMINAL

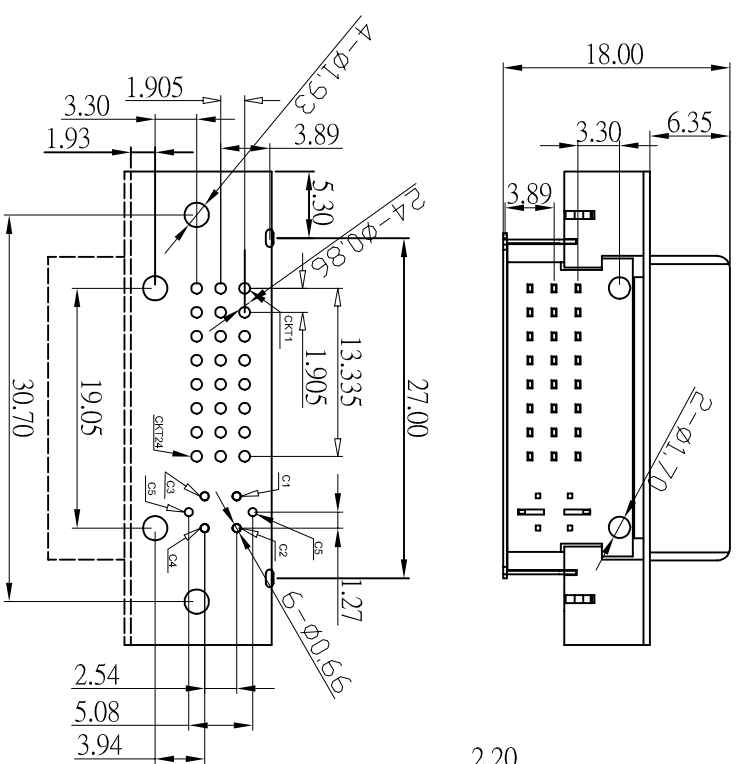
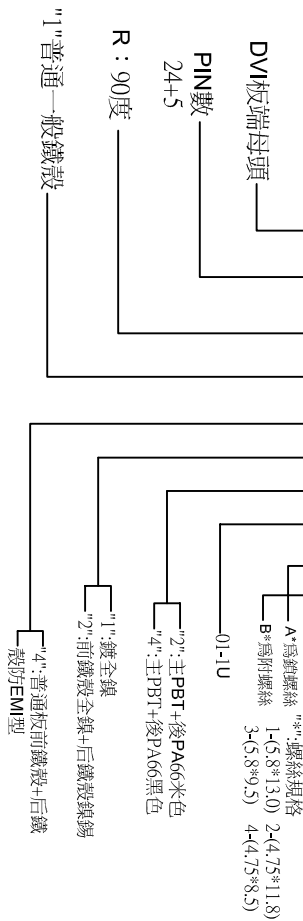
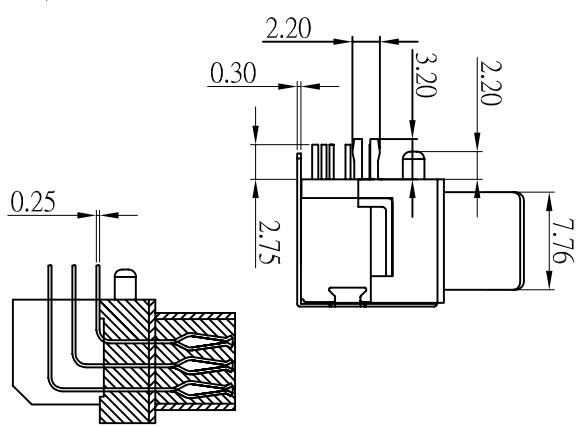
***MECHANICAL**
 MATING FORCE : 4.5 KG MAX. @ 25 MM/MINUTE
 UNMATING FORCE : 1.0 KG MIN. AND 4.0 KG MAX. @ 25 MM/MINUTE
 DURABILITY : 100 MATING CYCLES

***ELECTRICAL SPECIFICATION**
 INSULATION RESISTANCE : 1000 MEGOHMS MIN
 DIELECTRIC WITHSTANDING VOLTAGE : 500 V DC RMS ±50 V, 60 HZ
 CURRENT RATING : 1.5 AMPERES MIN
 SHELL RESISTANCE : 50 MIILOHMS MAX, INITIAL
 MAX CHANGE FROM INITIAL
 CONTACT RESISTANCE : 20 MIILOHMS MAX.

***ENVIRONMENTAL**
 OPERATING TEMPERATURE : -20° TO 85°

***HOW TO ORDER**
 PART NUMBER :

DF 245 R 1-4 2 2 01 B2



P.C.B LAYOUT

未標示公差尺寸值		TITLE: DVI(24+5)F90度后包鐵殼 附4.75*11.80		DRAWN BY		FAN SHA	
METRIC		PRODUCT NO: DF245R1-42201B2		CHECKED		APPROVED	
.0=±0.35		FILE NO: ZK-3-D-001		DRAW NO		COST-445	
.00=±0.25		SCALE 1:1 REV		UNIT mm			
.000=±0.15							