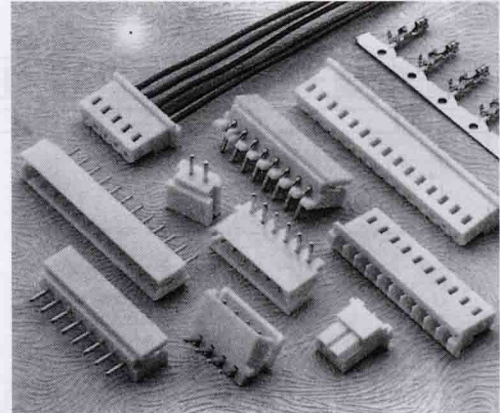


0.098" (2.50 mm) Pitch Disconnectable Connector

1136 Series

SPECIFICATION

Poles: 2-15
 Voltage rating: AC, DC 250V
 Current rating: AC, DC, 3A
 Withstand voltage: 800V AC/min.
 Insulation resistance: 1000M Ω /min.
 Temperature range: -20°C ~ +85°C
 (including temperature rise)
 Applicable PC board thickness: 0.031" ~ 0.063" (0.8~1.6mm)
 Contact resistance: Initial value/10m Ω max.
 After environmental testing/20m Ω max.



TERMINAL

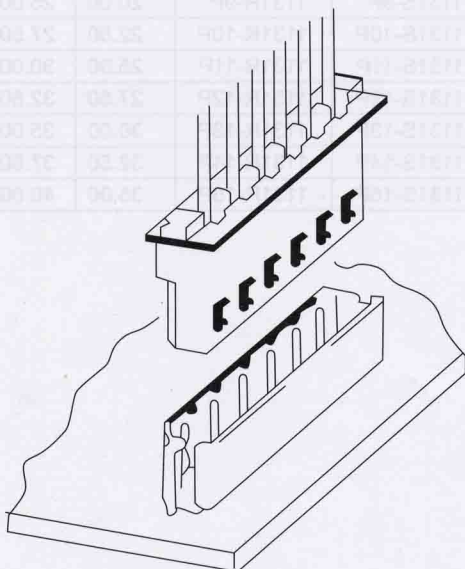
Part No: 1136T
 Applicable wires: AWG#22-30
 Material: Phos. Bronze (Brass)
 Finish: Tin/plated
 Hardness: H
 Thickness: 0.2mm

HOUSING

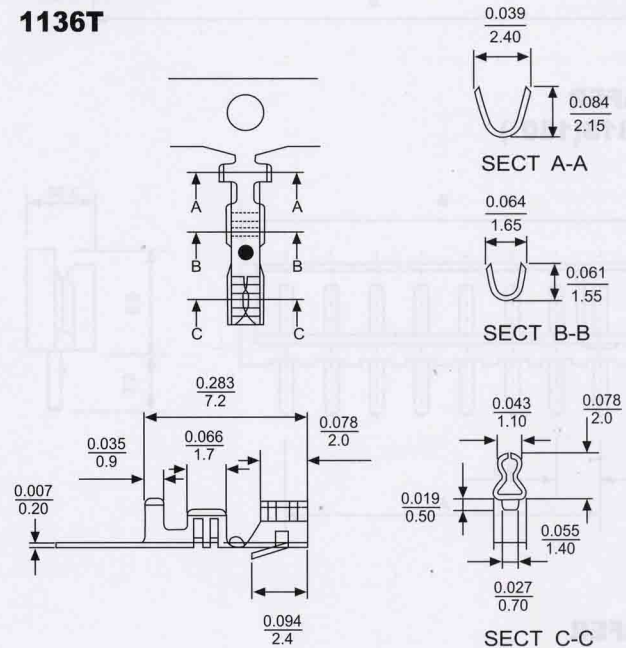
Part No: 1136H
 Poles: 2-10
 Material: Nylon 66, UL 94V-0

WAFER

Part No: 1136S(180°)
 1136R(90°)
 Poles: 2-10
 Material: Post: Brass. Tin/plated
 Base: Nylon 66, UL 94V-0 Natural



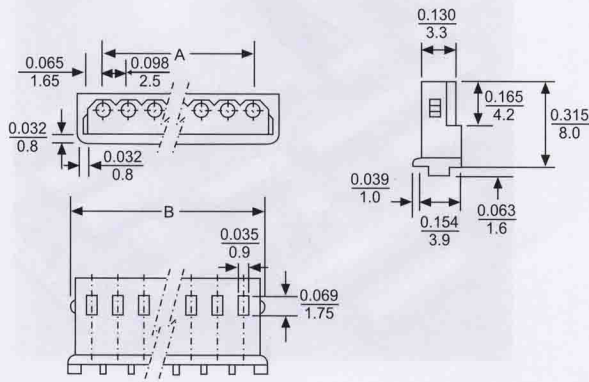
TERMINAL 1136T



0.098" (2.50 mm) Pitch Disconnectable Connector

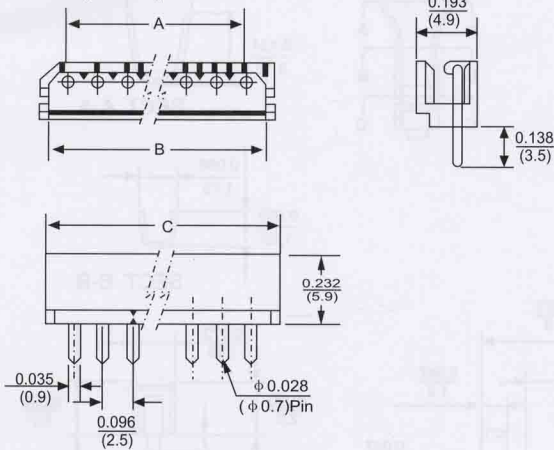
1136 Series

HOUSING 1136H

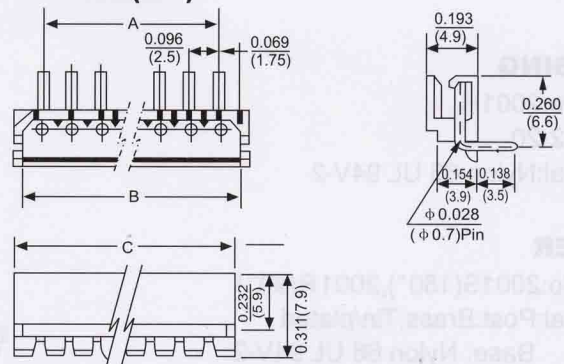


| POLES | PART NO. | Dimension in.(mm) | |
|-------|-----------|-------------------|-------------|
| | | A | B |
| 2 | 1136H-2P | 0.098(2.5) | 0.226(5.8) |
| 3 | 1136H-3P | 0.197(5.0) | 0.327(8.3) |
| 4 | 1136H-4P | 0.295(7.5) | 0.425(10.8) |
| 5 | 1136H-5P | 0.394(10.00) | 0.524(13.3) |
| 6 | 1136H-6P | 0.482(12.50) | 0.622(15.8) |
| 7 | 1136H-7P | 0.591(15.00) | 0.720(18.3) |
| 8 | 1136H-8P | 0.689(17.50) | 0.819(20.8) |
| 9 | 1136H-9P | 0.787(20.00) | 0.917(23.3) |
| 10 | 1136H-10P | 0.886(22.50) | 1.015(25.8) |
| 11 | 1136H-11P | 0.984(25.00) | 1.114(28.3) |
| 12 | 1136H-12P | 1.083(27.50) | 1.213(30.8) |
| 13 | 1136H-13P | 1.181(30.00) | 1.311(33.3) |
| 14 | 1136H-14P | 1.280(32.50) | 1.409(35.8) |
| 15 | 1136H-15P | 1.378(35.00) | 1.508(38.3) |

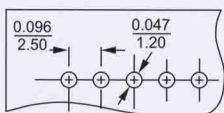
WAFER 1136S(180°)



WAFER 1136R(90°)



P.C.BOARD LAYOUT



| POLES | PART NO. | | Dimension in.(mm) | | |
|-------|----------------|-----------------|-------------------|-------------|--------------|
| | TOP ENTRY TYPE | SIDE ENTRY TYPE | A | B | C |
| 2 | 1136S-2P | 1136R-2P | 0.098(2.50) | 0.224(6.0) | 0.287(7.50) |
| 3 | 1136S-3P | 1136R-3P | 0.197(5.00) | 0.323(8.5) | 0.386(10.00) |
| 4 | 1136S-4P | 1136R-4P | 0.295(7.50) | 0.421(11) | 0.484(12.50) |
| 5 | 1136S-5P | 1136R-5P | 0.394(10.00) | 0.520(13.5) | 0.583(15.00) |
| 6 | 1136S-6P | 1136R-6P | 0.492(12.50) | 0.618(16) | 0.681(17.50) |
| 7 | 1136S-7P | 1136R-7P | 0.591(15.00) | 0.717(18.5) | 0.787(20.00) |
| 8 | 1136S-8P | 1136R-8P | 0.689(17.50) | 0.815(21) | 0.878(22.50) |
| 9 | 1136S-9P | 1136R-9P | 0.787(20.00) | 0.913(23.5) | 0.976(25.00) |
| 10 | 1136S-10P | 1136R-10P | 0.886(22.50) | 1.102(26) | 1.075(27.50) |
| 11 | 1136S-11P | 1136R-11P | 0.984(25.00) | 1.110(28.5) | 1.173(30.00) |
| 12 | 1136S-12P | 1136R-12P | 1.083(27.50) | 1.209(31) | 1.272(32.50) |
| 13 | 1136S-13P | 1136R-13P | 1.181(30.00) | 1.307(33.5) | 1.370(35.00) |
| 14 | 1136S-14P | 1136R-14P | 1.280(32.50) | 1.406(36) | 1.469(37.50) |
| 15 | 1136S-15P | 1136R-15P | 1.378(35.00) | 1.504(38.5) | 1.567(40.00) |