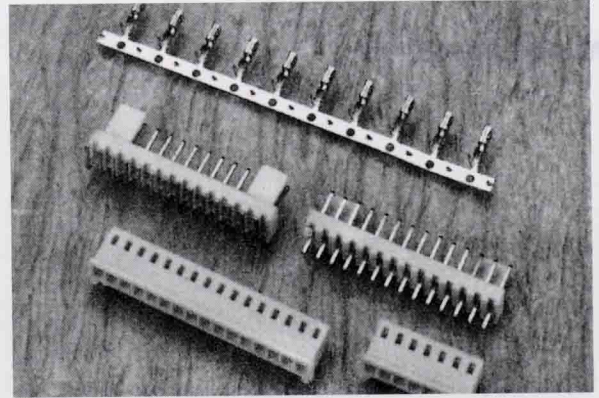


# 0.098" (2.50 mm) Pitch Center Mini Latch Connectors

2504 Series

## SPECIFICATION

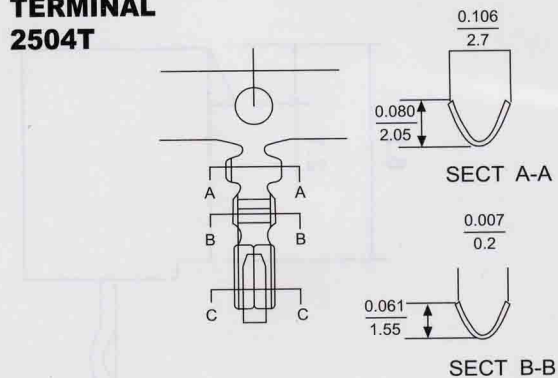
Poles: 2-15  
 Voltage rating: AC250V, DC 350V  
 Current rating: AC, DC, 2A  
 Withstand voltage: 650V AC/min.  
 Insulation resistance: 1000M  $\Omega$ /min.  
 Temperature range: -25°C ~ +85°C  
 Applicable PC board thickness: 0.031~0.063" (0.8~1.6mm)  
 Contact resistance: Initial value/10m  $\Omega$  max.  
 After environmental testing/20m  $\Omega$  max.



## TERMINAL

Part No: 2504T  
 Applicable wires: AWG#22-28  
 Material: Phos. Bronze (Brass)  
 Finish: Tin/plated  
 Hardness: H  
 Thickness: 0.2mm

## TERMINAL 2504T



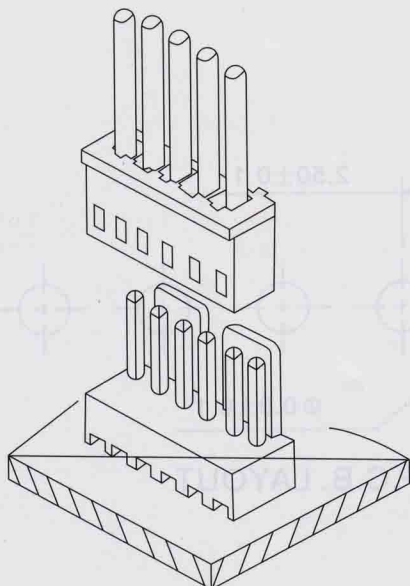
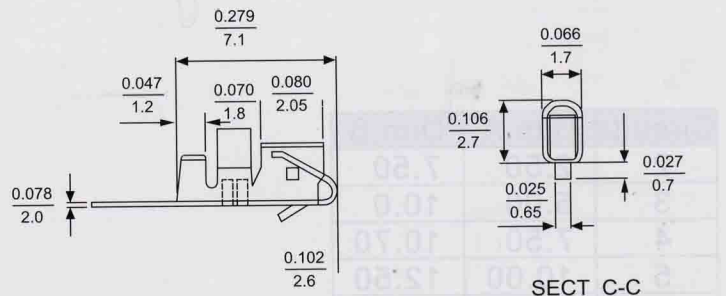
## HOUSING

Part No: 2504H  
 Poles: 2-15  
 Material: Nylon UL 94V-2

## WAFER

Part No: 2504S (180°)  
 2504R (90°)  
 Poles: 2-15  
 Material: Post: Brass, Tin/plated  
 Base: Nylon 66 UL 94V-2

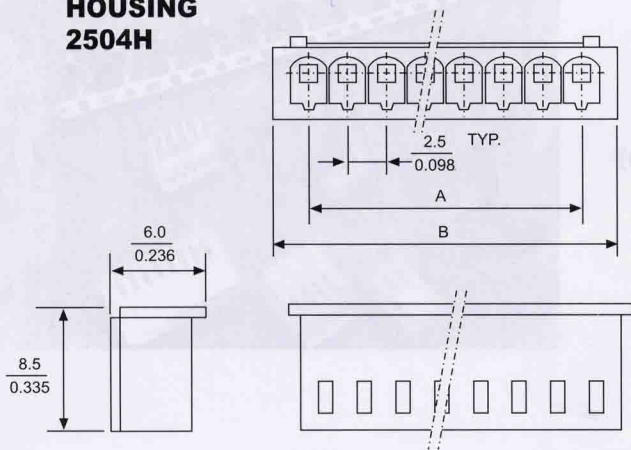
Dimension:  $\frac{\text{Inch}}{\text{mm}}$



# 0.098" (2.50 mm) Pitch Center Mini Latch Connectors

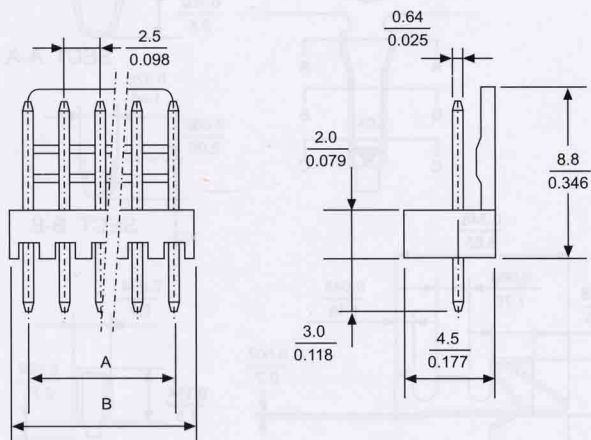
2504 Series

## HOUSING 2504H



| POLES | PART NO.  | Dimension in.(mm) |             |
|-------|-----------|-------------------|-------------|
|       |           | A                 | B           |
| 2     | 2504H-2P  | 0.098(2.5)        | 0.287(7.3)  |
| 3     | 2504H-3P  | 0.197(5.0)        | 0.385(9.8)  |
| 4     | 2504H-4P  | 0.295(7.5)        | 0.484(12.3) |
| 5     | 2504H-5P  | 0.394(10.0)       | 0.582(14.8) |
| 6     | 2504H-6P  | 0.482(12.5)       | 0.681(17.3) |
| 7     | 2504H-7P  | 0.591(15.0)       | 0.779(19.8) |
| 8     | 2504H-8P  | 0.689(17.5)       | 0.877(22.3) |
| 9     | 2504H-9P  | 0.787(20.0)       | 0.976(24.8) |
| 10    | 2504H-10P | 0.886(22.5)       | 1.074(27.3) |
| 11    | 2504H-11P | 0.984(25.0)       | 1.173(29.8) |
| 12    | 2504H-12P | 1.083(27.5)       | 1.271(32.3) |
| 13    | 2504H-13P | 1.181(30.0)       | 1.370(34.8) |
| 14    | 2504H-14P | 1.280(32.5)       | 1.468(37.3) |
| 15    | 2504H-15P | 1.378(35.0)       | 1.566(39.8) |
| 16    | 2504H-15P | 1.476(37.5)       | 1.665(42.3) |
| 17    | 2504H-15P | 1.575(40.0)       | 1.763(44.8) |
| 18    | 2504H-15P | 1.673(42.5)       | 1.862(47.3) |
| 19    | 2504H-15P | 1.772(45.0)       | 1.960(49.8) |
| 20    | 2504H-15P | 1.870(47.5)       | 2.059(52.3) |

## WAFER 2504S(180°)



| POLES | PART NO.      |             | Dimension in.(mm) |             |
|-------|---------------|-------------|-------------------|-------------|
|       | STUAIGHT TYPE | RIGHT ANGLE | A                 | B           |
| 2     | 2504S-2P      | 2504R-2P    | 0.098(2.5)        | 0.201(5.1)  |
| 3     | 2504S-3P      | 2504R-3P    | 0.197(5.0)        | 0.299(7.6)  |
| 4     | 2504S-4P      | 2504R-4P    | 0.295(7.5)        | 0.398(10.1) |
| 5     | 2504S-5P      | 2504R-5P    | 0.394(10.0)       | 0.496(12.6) |
| 6     | 2504S-6P      | 2504R-6P    | 0.482(12.5)       | 0.594(15.1) |
| 7     | 2504S-7P      | 2504R-7P    | 0.591(15.0)       | 0.693(17.6) |
| 8     | 2504S-8P      | 2504R-8P    | 0.689(17.5)       | 0.791(20.1) |
| 9     | 2504S-9P      | 2504R-9P    | 0.787(20.0)       | 0.890(22.6) |
| 10    | 2504S-10P     | 2504R-10P   | 0.886(22.5)       | 0.988(25.1) |
| 11    | 2504S-11P     | 2504R-11P   | 0.984(25.0)       | 1.087(27.6) |
| 12    | 2504S-12P     | 2504R-12P   | 1.083(27.5)       | 1.185(30.1) |
| 13    | 2504S-13P     | 2504R-13P   | 1.181(30.0)       | 1.283(32.6) |
| 14    | 2504S-14P     | 2504R-14P   | 1.280(32.5)       | 1.382(35.1) |
| 15    | 2504S-15P     | 2504R-15P   | 1.378(35.0)       | 1.480(37.6) |
| 16    | 2504S-15P     | 2504R-15P   | 1.476(37.5)       | 1.579(40.1) |
| 17    | 2504S-15P     | 2504R-15P   | 1.575(40.0)       | 1.677(42.6) |
| 18    | 2504S-15P     | 2504R-15P   | 1.673(42.5)       | 1.776(45.1) |
| 19    | 2504S-15P     | 2504R-15P   | 1.772(45.0)       | 1.874(47.6) |
| 20    | 2504S-15P     | 2504R-15P   | 1.870(47.5)       | 1.972(50.1) |

## WAFER 2504R(90°)

