

0.200" (5.08mm) Pitch Center Connector

5081 Series

SPECIFICATION

Poles: 2-15
 Voltage rating: AC, DC 250V
 Current rating: AC, DC, 5A
 Withstand voltage: 1500V AC/min.
 Insulation resistance: 1000M Ω /min.
 Temperature range: -25°C ~ +85°C
 Applicable PC board thickness: 0.063" (1.6mm)
 Contact resistance: Initial value/10m Ω max.
 After environmental testing/20m Ω max.

TERMINAL

Part No: 5081T
 Applicable wires: AWG#22-28
 Material: Phos. Brass
 Finish: Tin/plated
 Hardness: H
 Thickness: 0.25mm

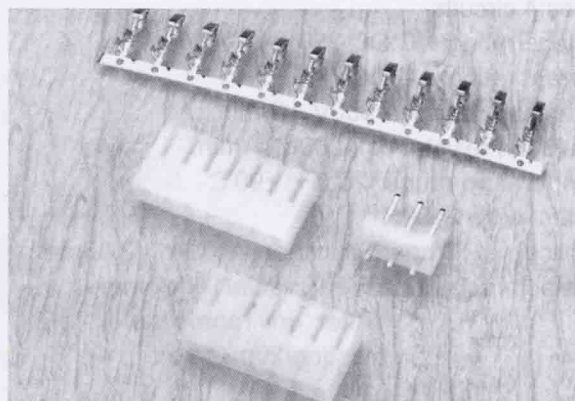
HOUSING

Part No: 5081H
 Poles: 2-15
 Material: Nylon 66, UL 94V-2

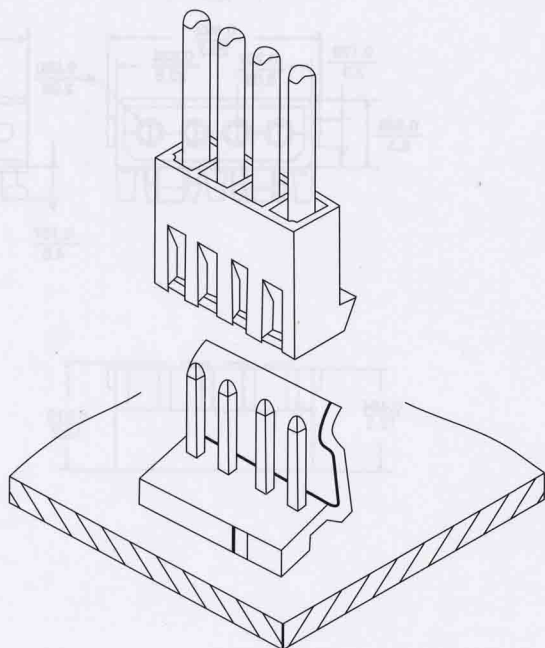
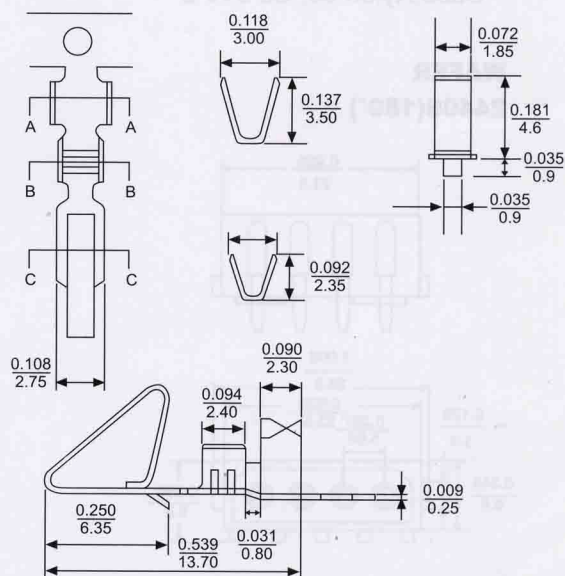
WAFER

Part No: 5081S(180°), 5081R(90°),
 Poles: 2-15
 Material: Nylon 66, UL 94V-2
 Contact: 1.14(0.045") straight square or round pin,
 Tin/Plated Brass pins

Dimension: $\frac{\text{Inch}}{\text{mm}}$



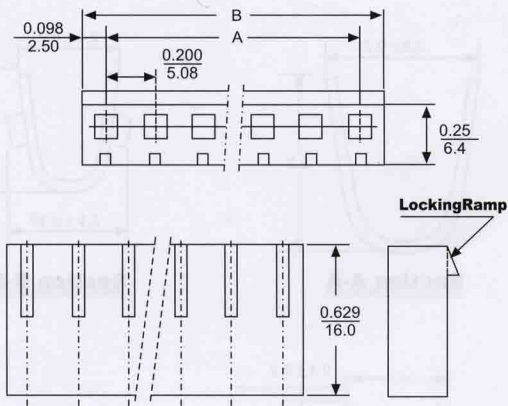
TERMINAL 5081T



0.200" (5.08mm) Pitch Center Connector

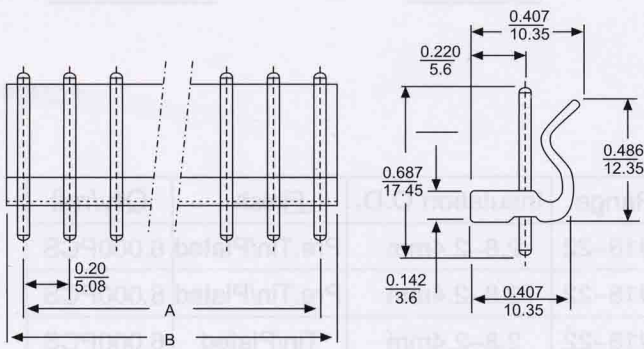
5081 Series

HOUSING 5081H



POLES	PART NO.	Dimension in.(mm)	
		A	B
2	5081H-2P	0.20(5.08)	0.40(10.16)
3	5081H-3P	0.40(10.16)	0.60(15.24)
4	5081H-4P	0.60(15.24)	0.80(20.32)
5	5081H-5P	0.80(20.32)	1.00(25.40)
6	5081H-6P	1.00(25.40)	1.20(30.48)
7	5081H-7P	1.20(30.48)	1.40(35.56)
8	5081H-8P	1.40(35.56)	1.60(40.64)
9	5081H-9P	1.60(40.64)	1.80(45.72)
10	5081H-10P	1.80(45.72)	2.00(50.80)
11	5081H-11P	2.00(50.80)	2.20(55.88)
12	5081H-12P	2.20(55.88)	2.40(60.96)
13	5081H-13P	2.40(60.96)	2.60(66.40)
14	5081H-14P	2.60(66.40)	2.80(71.12)
15	5081H-15P	2.80(71.12)	3.00(76.20)

WAFER 5081S(180°)



POLES	PART NO.		Dimension in.(mm)	
	Top entry type	Side entry type	A	B
2	5081S-2P	5081R-2P	0.20(5.08)	0.40(10.16)
3	5081S-3P	5081R-3P	0.40(10.16)	0.60(15.24)
4	5081S-4P	5081R-4P	0.60(15.24)	0.80(20.32)
5	5081S-5P	5081R-5P	0.80(20.32)	1.00(25.40)
6	5081S-6P	5081R-6P	1.00(25.40)	1.20(30.48)
7	5081S-7P	5081R-7P	1.20(30.48)	1.40(35.56)
8	5081S-8P	5081R-8P	1.40(35.56)	1.60(40.64)
9	5081S-9P	5081R-9P	1.60(40.64)	1.80(45.72)
10	5081S-10P	5081R-10P	1.80(45.72)	2.00(50.80)
11	5081S-11P	5081R-11P	2.00(50.80)	2.20(55.88)
12	5081S-12P	5081R-12P	2.20(55.88)	2.40(60.96)
13	5081S-13P	5081R-13P	2.40(60.96)	2.60(66.40)
14	5081S-14P	5081R-14P	2.60(66.40)	2.80(71.12)
15	5081S-15P	5081R-15P	2.80(71.12)	3.00(76.20)

WAFER 5801R(90°)

