

0.157" (4.0mm) PITCH SERIES CONNECTOR

A4000 Series

FEATURES

- A4000HP/A4000HS Housing
Circuits: 2P~4P
Material: Nylon 66 94V-0 (White)
Accept Terminal: A4000ST/A4000PT
- A4000ST/A4000PT Terminal
Material: Phosphor Bronze Pre-Tin
Accept Housing: A4000HP/A4000HS
Applicable Wire: AWG#22 to #28
- A4000R.A4000SMT Header
Circuits: 2P~4P
Material: LCP/Nylon 66 94V-0(Natural)
Phosphor Bronze/Brass Tin-Plated
Mate Housing: A4000HP

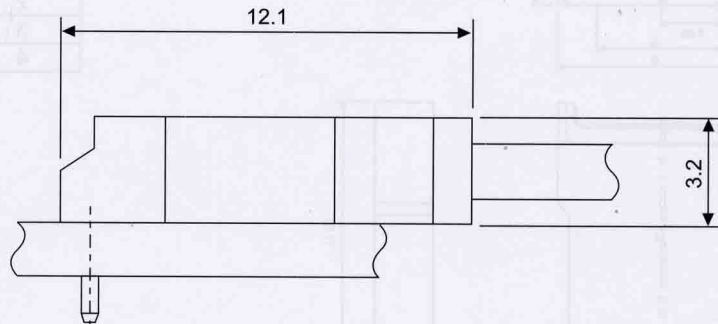


SPECIFICATIONS

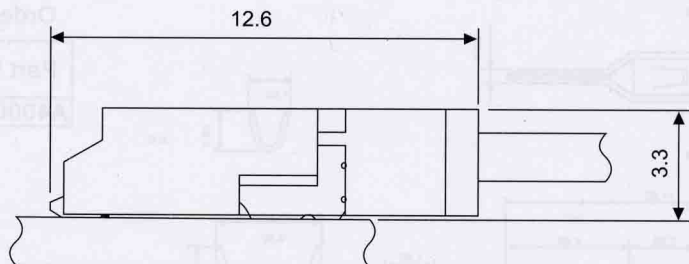
- Current Rating: 1A AC,DC
- Voltage Rating: 600V AC,DC
- Withstand Voltage: 1800V AC/Minute
- Contact Resistance: 10m Ω Max
- Insulation Resistance: 1000M Ω Min.
- Temperature Range: -25 $^{\circ}$ C to 85 $^{\circ}$ C
- Applicable PC Board Thickness: 1.6mm

ASSEMBLY LAYOUT

DIP-Type



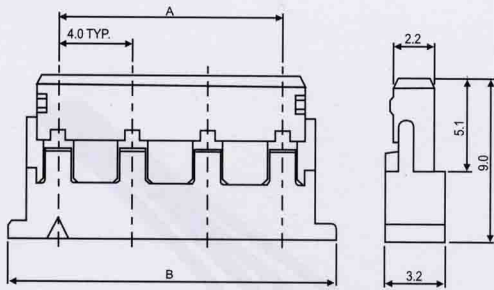
SMT-Type



A4000 SERIES CONNECTOR (4.0mm PITCH)

A4000 Series

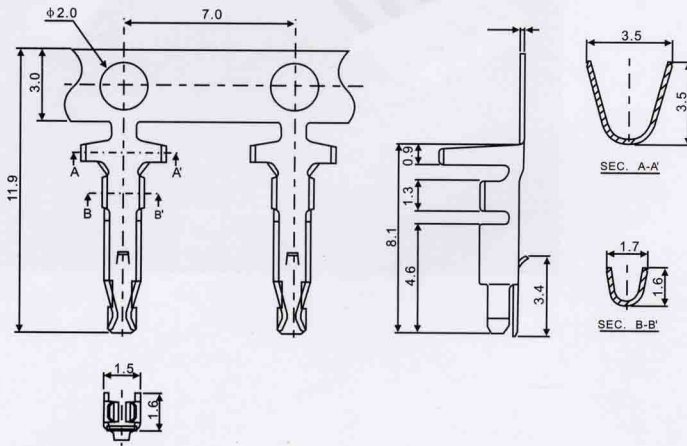
A4000HP HOUSING



Ordering Information:

Circuits	Part No	Dim. A	Dim. B
2	A4000HP-2P	4.0	9.8
3	A4000HP-3P	8.0	13.8
4	A4000HP-4P	12.0	17.8

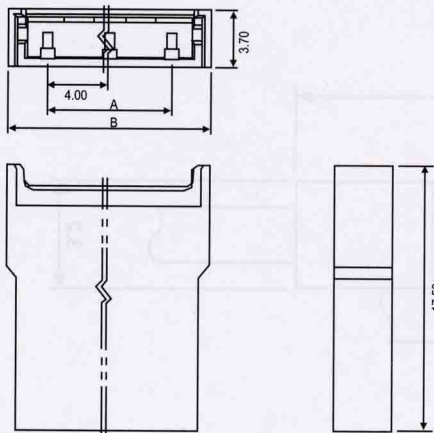
A4000ST TERMINAL



Ordering Information:

Part No	Wire Gauge	Insulation Diameter	Reel Q'ty
A4000ST	#22~#28	$\phi 2.2$ MAX	4,000 Pcs

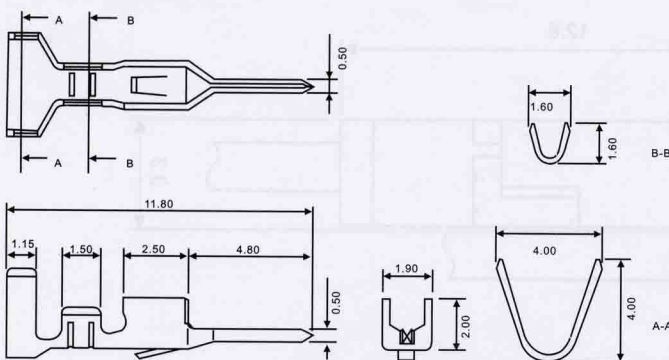
A4000HS HOUSING



Ordering Information:

Circuits	Part No	Dim. A	Dim. B
2	A4000HS-2P	4.0	13.1
3	A4000HS-3P	8.0	17.1
4	A4000HS-4P	12.0	21.1

A4000PT TERMINAL



Ordering Information:

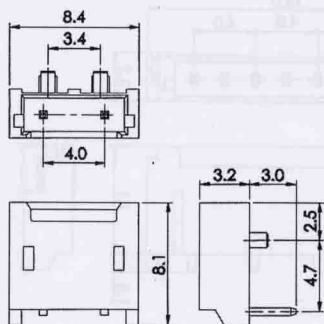
Part No	Wire Gauge	Insulation Diameter	Reel Q'ty
A4000PT	#22~#28	$\phi 2.2$ MAX	4,000 Pcs

A4000 SERIES CONNECTOR (4.0mm PITCH)

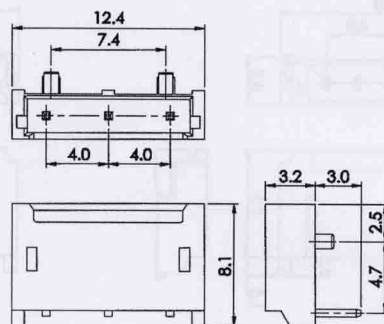
A4000 Series

A4000 DIP HEADER

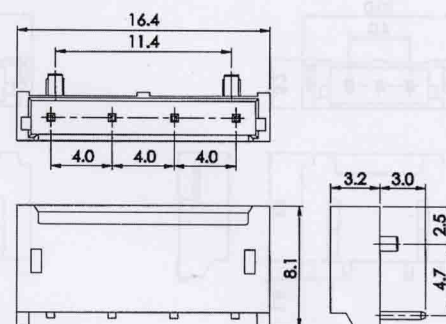
A4000R-3-2
2P (4.0mm PITCH)



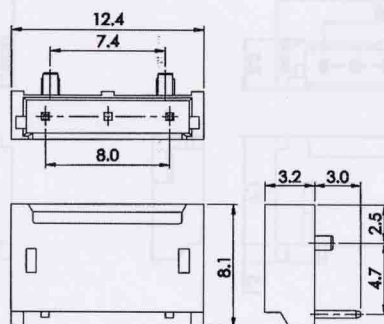
A4000R-5-3
3P (4.0mm PITCH)



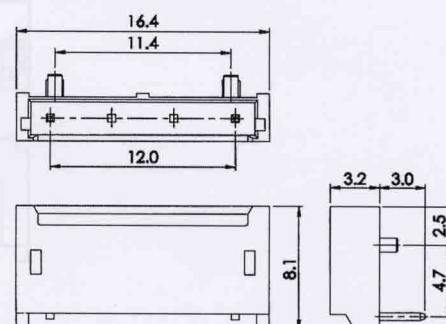
A4000R-7-4
4P (4.0mm PITCH)



A4000R-5-2
2P (8.0mm PITCH)

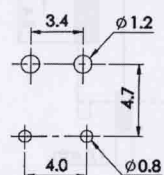


A4000R-7-2
2P (12.0mm PITCH)

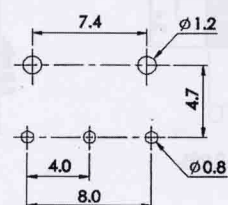


PC BOARD LAYOUT

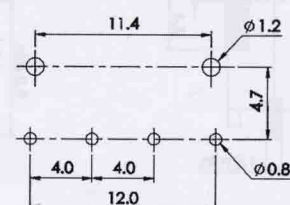
A4000R-3-2
2P (4.0mm PITCH)



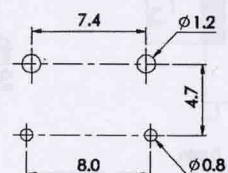
A4000R-5-3
3P (4.0mm PITCH)



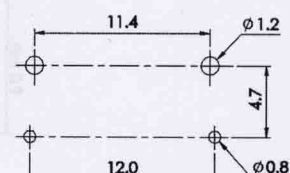
A4000R-7-4
4P (4.0mm PITCH)



A4000R-5-2
2P (8.0mm PITCH)



A4000R-7-2
2P (12.0mm PITCH)

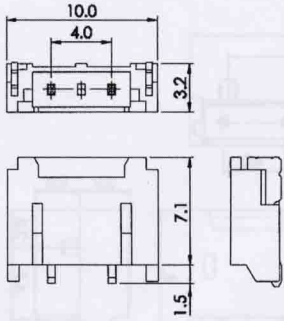


A4000 SERIES CONNECTOR (4.0mm PITCH)

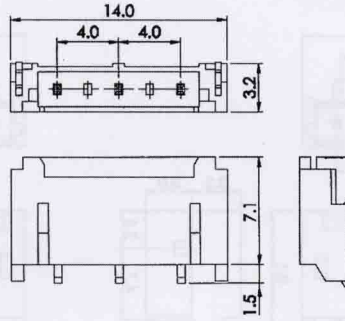
A4000 Series

A4000 SMT HEADER

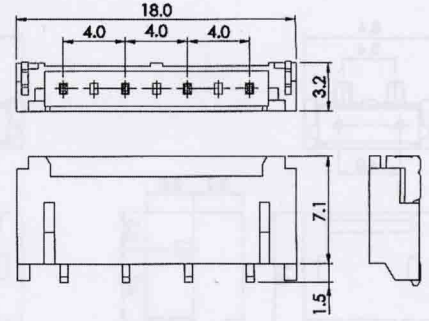
A4000SMT-3-2
2P (4.0mm PITCH)



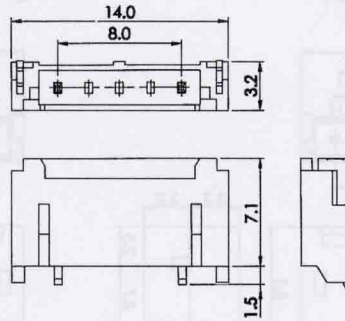
A4000SMT-5-3
3P (4.0mm PITCH)



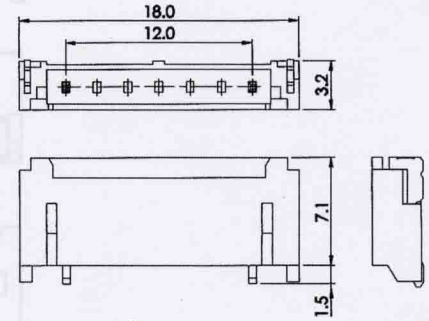
A4000SMT-7-4
4P (4.0mm PITCH)



A4000SMT-5-2
2P (8.0mm PITCH)

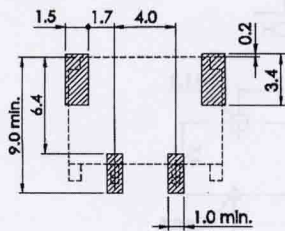


A4000SMT-7-2
2P (12.0mm PITCH)

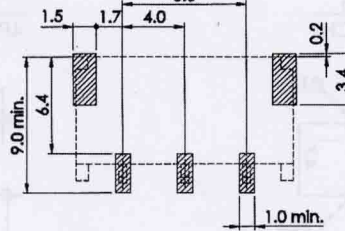


PC BOARD LAYOUT

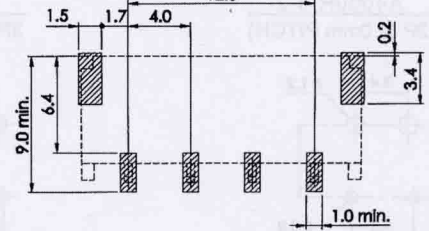
A4000SMT-3-2
2P (4.0mm PITCH)



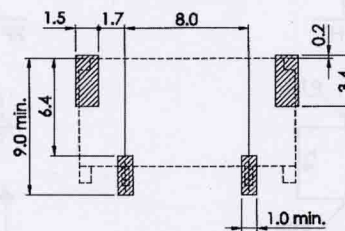
A4000SMT-5-3
3P (4.0mm PITCH)



A4000SMT-7-4
4P (4.0mm PITCH)



A4000SMT-5-2
2P (8.0mm PITCH)



A4000SMT-7-2
2P (12.0mm PITCH)

