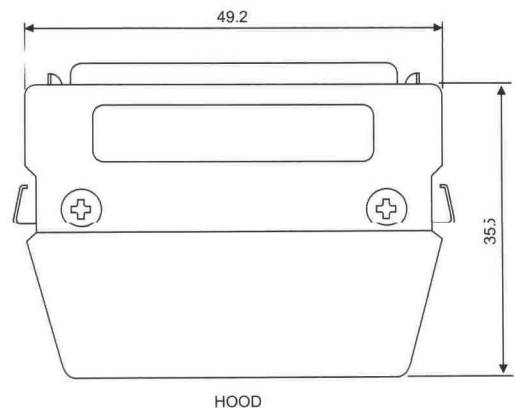
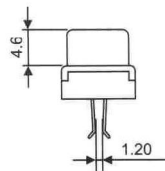
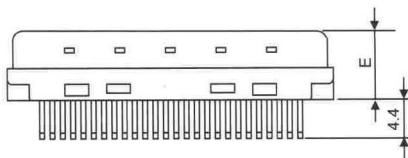
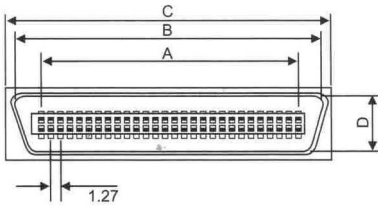
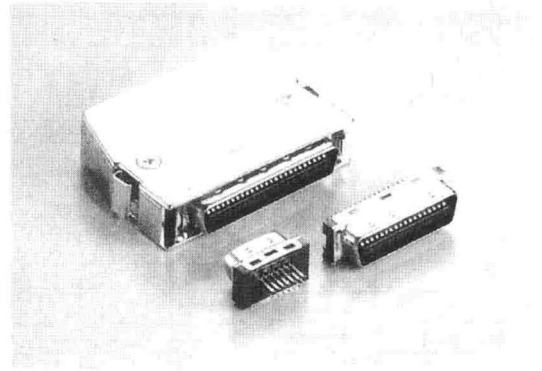


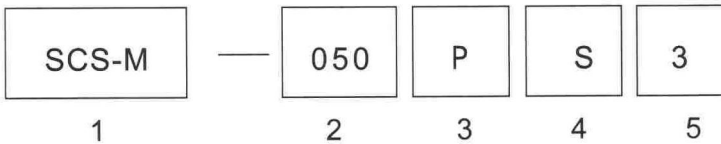
SCSI II CENTRONIC PCB STRADDLED MOUNT

SCS-M Series

POSITION	A	B	C	D	E
14P	7.62	12.60	16.50	6.40	8.60
20P	11.43	16.70	20.20	6.40	8.60
36P	21.59	26.60	30.40	6.40	8.60
50P	30.48	35.70	38.53	6.40	8.60
68P	41.91	47.13	49.78	6.40	8.60



Order Information



1.SERIES NO.

SCS-M

3.CONTACT TYPE

P =MALE
S=FEMALE

5.INSULATOR COLOR

3=BLACK

2.CONTACT NUMBER

014 020 026 036
040 050 060 068
080 100

4.CONTACT PLATING

S=SELECTIVE GLOD
G=GOLD FLASH
C=15u " GOLD
D=30u " GOLD